



T&S BRASS AND BRONZE WORKS, INC.

2 Saddleback Cove / P.O. Box 1088
Travelers Rest, SC 29690

Model No.

B-7132-U1MXS1C

Item No.

Travelers Rest, SC: 800-476-4103 • Simi Valley, CA: 800-423-0150 • Fax: 864-834-3518 • www.tsbrass.com

This Space for Architect/Engineer Approval

Job Name _____ Date _____

Model Specified _____ Quantity _____

Customer/Wholesaler _____

Contractor _____

Architect/Engineer _____

B-0963
Continuous Pressure
Vacuum Breaker w/
Integral Check Valve

3/8" NPT x 36"
Flexible Water
Connector To
Hose Reel

EasyInstall
3/8" NPT x
40" Riser

Stainless Steel
Quick Disconnect

Control Valve

(2) B-0109-07
2 3/8" Wall
Brackets

3/8" NPT x
16" Riser

EasyInstall
Locknut and
Bushing

3 11/16"
[93mm]

12 5/8"
[321mm]

8"
[203mm]

Adjustable From
7 3/4" to 8 1/4"
[197mm to 210mm]

Open Stainless Steel
Hose Reel w/
35' of 3/8" Hose

019652-40
3/8" NPT
Live Swivel

B-0107
1.15 GPM
Spray Valve

8" Wall Mount
Mixing Faucet,
Quarter-Turn Cerama
Cartridges w/ Check
Valves & Lever Handles
w/ Color Coded Indexes

Ø 2" [51mm]
Flanges w/
1/2" NPT
Female Inlets

5 1/2"
[139mm]

2 3/8"
[60mm]

6 7/16"
[164mm]

5 1/4"
[133mm]

1/2"
[13mm]

3/4"
[19mm]

63 5/16"
[1609mm]

17 13/16"
[453mm]

2 3/8"
[61mm]

Product Specifications:

Open Stainless Steel Hose Reel w/ 35' of 3/8" Hose, 1.15 GPM Spray Valve w/ Swivel, Vacuum Breaker, 3/8" NPT Flexible Water Connector, 8" Wall Mount Mixing Faucet w/ Quarter-Turn Cerama Cartridges & Control Valve

Product Compliance:

NSF 61 Exempt (Non-Potable)
2019 DOE PRSV - Class II
ASSE 1056 (VB)



T&S BRASS AND BRONZE WORKS, INC.

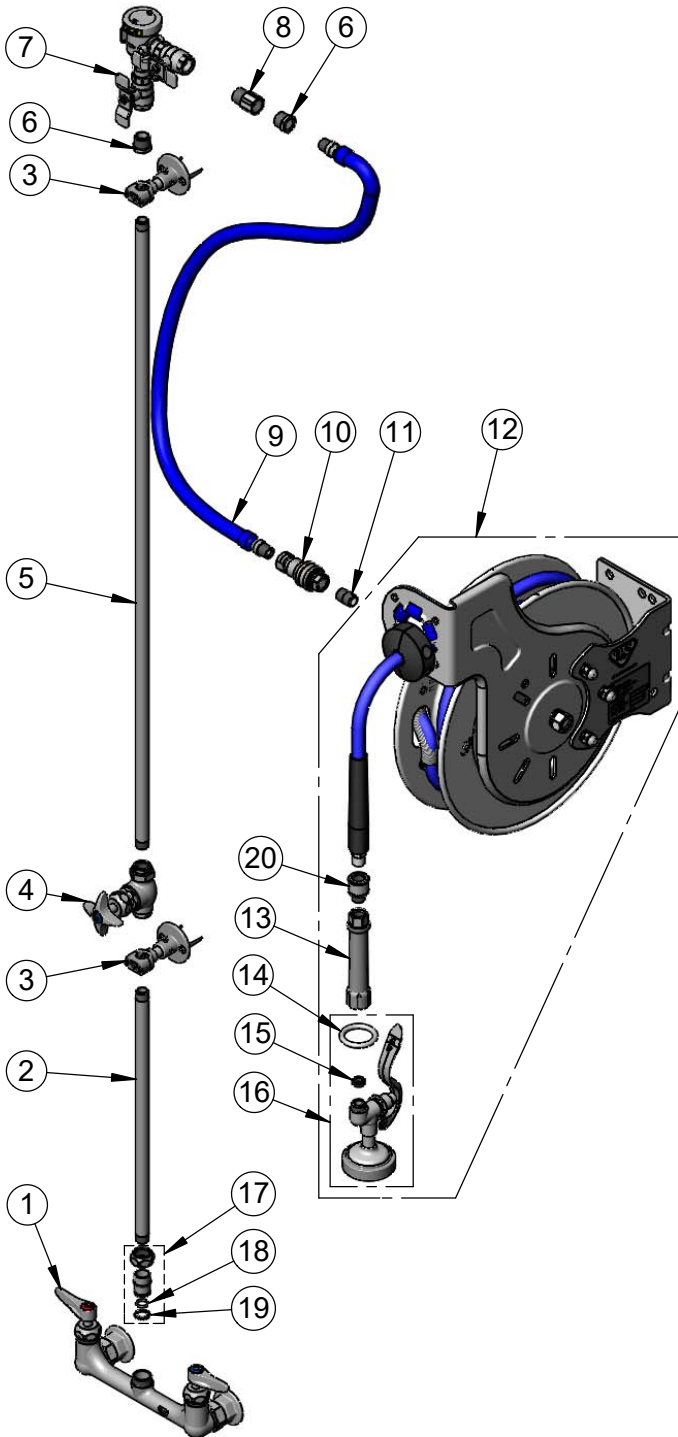
2 Saddleback Cove / P.O. Box 1088
Travelers Rest, SC 29690

Model No.

B-7132-U1MXS1C

Item No.

Travelers Rest, SC: 800-476-4103 • Simi Valley, CA: 800-423-0150 • Fax: 864-834-3518 • www.tsbrass.com



ITEM NO.	SALES NO.	DESCRIPTION
1	B-0131-LN-CR-SC	8" Wall Mount Mixing Faucet w/ Quarter-Turn Ceramas & Check Valves
2	000368-40	3/8" NPT x 16" Riser
3	B-0109-07	2 3/8" Wall Bracket
4	0RK3	Control Valve
5	002558-40	3/8" NPT x 40" Riser
6	001359-40	Hex Bushing, 1/2" NPT Male x 3/8" NPT Female
7	B-0963	1/2" NPT Continuous Pressure VB w/ Integral Check Valve
8	015073-40	Check Valve w/ 1/2" NPT Adapter
9	HW-2B-36	3/8" NPT x 36" Flex Water Hose
10	AW-5B	3/8" NPT Quick Disconnect
11	002535-25	3/8" Close Nipple
12	B-7132-01M	Open Stainless Steel Reel w/ 35' of 3/8" Hose
13	002881-40	Grip Handle (Gray)
14	000907-45	Spray Valve Hold Down Ring
15	010476-45	#27 Washer
16	B-0107	1.15 GPM Spray Valve
17	EZ-K	EasyInstall Kit
18	001065-45	O-Ring
19	014200-45	Star Washer, Anti-Rotation
20	019652-40	3/8" NPT Live Swivel

Product Specifications:

Open Stainless Steel Hose Reel w/ 35' of 3/8" Hose, 1.15 GPM Spray Valve w/ Swivel, Vacuum Breaker, 3/8" NPT Flexible Water Connector, 8" Wall Mount Mixing Faucet w/ Quarter-Turn Cerama Cartridges & Control Valve

Product Compliance:

NSF 61 Exempt (Non-Potable)
2019 DOE PRSV - Class II
ASSE 1056 (VB)