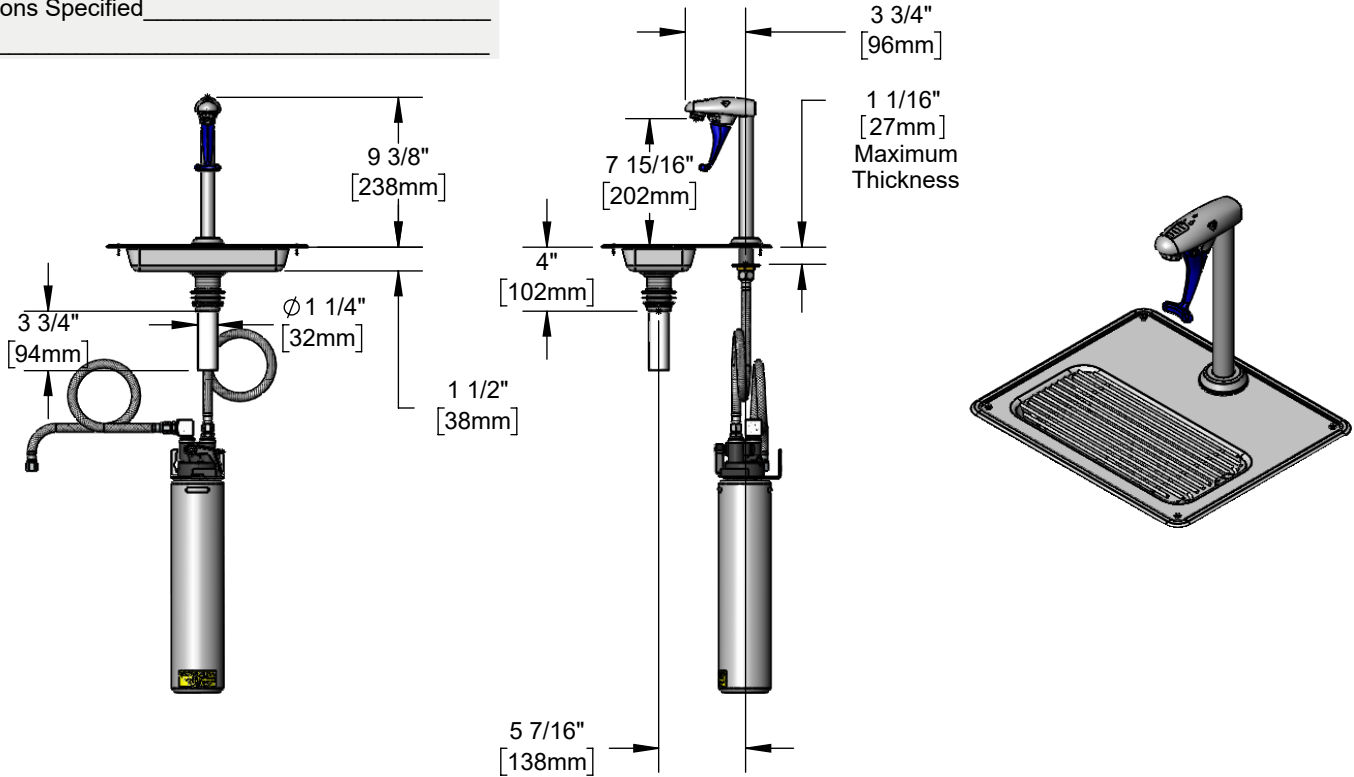




#### Architect/Engineering Specifications:

Deck mount water station with polished chrome plated brass pedestal type glass filler, adjustable flow outlet, push back actuation arm, pedestal with adjustable deck flange, 18 gauge stainless steel drip pan with drop-in grid and 1 1/4" drain. Certified to ASME A112.18.1/CSA B125.1, NSF 61-Section 9 and NSF 372. Meets ADA ANSI/ICC A117.1 requirements.

Job Name \_\_\_\_\_  
 Model Specified \_\_\_\_\_ Quantity \_\_\_\_\_  
 Variations Specified \_\_\_\_\_  
 Date \_\_\_\_\_



#### Features & Benefits:

- Deck mount water station
- 8" deck mount glass filler w/ polished chrome plated brass body
- Torx wrench adjustable flow outlet (wrench included)
- Dark blue push back arm
- Instantaneous shut-off
- 1/2" NPT male inlet
- Pedestal w/ adjustable Ø 2" flange
- Drip pan w/ drop-in grid
- 1 1/4" drain
- Replaceable water filtration cartridge and docking station
- Material: Polished chrome plated brass body & pedestal, chrome plated metal flange, 18 gauge stainless steel drip pan and stainless steel grid

#### Product Compliance:

- ASME A112.18.1 / CSA B125.1
- NSF 61 - Section 9
- NSF 372 (Low Lead Content)
- ANSI A117.1 (ADA)

**Warranty:** One Year (Limited)

#### Performance Data:

- Pressure: 20 - 125 psi [1.38 - 8.62 bar]
- Temperature: 40°F - 140°F [4.44°C - 60°C]
- Flow Rate: 0.25 GPM [0.95 L/min] min @ 60 psi [4.14 bar]  
2.25 GPM [8.52 L/min] max @ 60 psi [4.14 bar]
- Discharge Rate: 18.0 GPM [68.1 L/min]



ADA Compliant

