



Architect/Engineering Specifications:

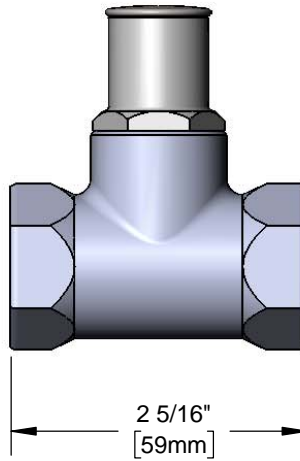
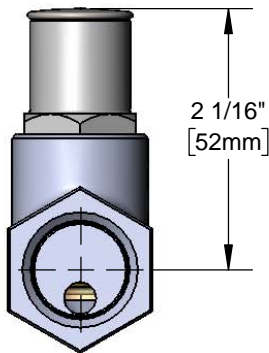
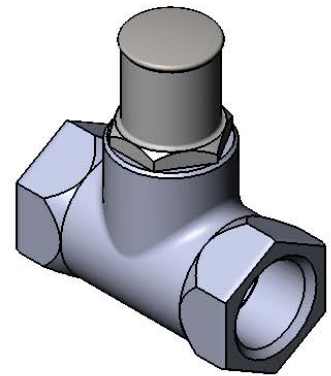
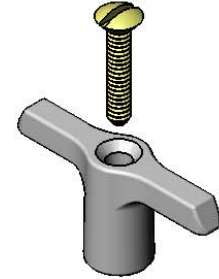
Straight loose key stop w/ chrome plated brass body, tee handle, screw, 1/2" NPT female inlet and outlet. Certified to ASME A112.18.1/CSA B125.1, NSF 61-Section 9 and NSF 372.

Job Name _____

Model Specified _____ Quantity _____

Variations Specified _____

Date _____



Features & Benefits:

- Straight loose key stop with polished chrome plated body
- Loose key style shut-off valve with tee handle
- 1/2" NPT female inlet
- 1/2" NPT female outlet
- Material: Chrome plated brass body

Product Compliance:

- ASME A112.18.1 / CSA B125.1
- NSF 61 - Section 9
- NSF 372 (Low Lead Content)



Warranty: One Year (Limited)

Performance Data:

- Pressure: 20 - 125 psi
- Temperature: 40 °F - 140 °F
- Flow Rate: 16.10 GPM @ 60 psi

