



#### Architect/Engineering Specifications:

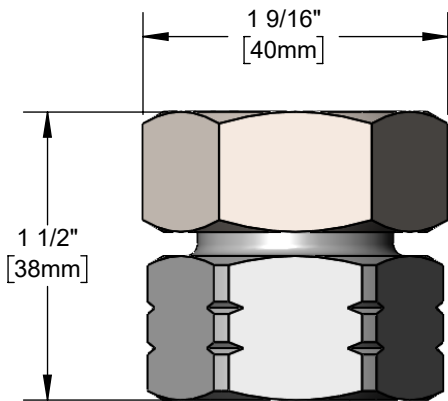
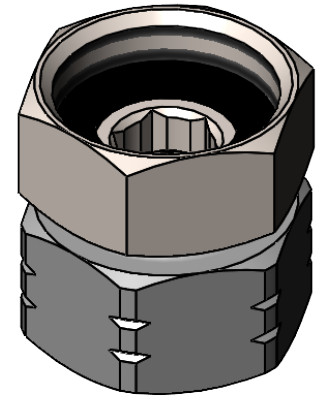
Stainless steel wall mount faucet adapter for T&S faucet to wall flange, 1 3/8" swivel hex nut with 1.26-14 UN female threads to fit T&S faucet body and 1 3/8" hex adapter body with G3/4 female inlet. Certified to DVGW and KTW.

Job Name \_\_\_\_\_

Model Specified \_\_\_\_\_ Quantity \_\_\_\_\_

Variations Specified \_\_\_\_\_

Date \_\_\_\_\_



#### Features & Benefits:

- T&S wall mount faucet inlet adapter
- 1 3/8" swivel hex nut with 1.26-14 UN internal threads to fit T&S faucet body
- 1 3/8" hex adapter body with G3/4 female inlet
- (2) faucet adapters w/ seals
- Material: Stainless Steel

#### Product Compliance:

- DVGW Certified
- KTW Certified

**Warranty:** One Year (Limited)

#### Performance Data:

- N/A

