



**Bubblers**

**B-2360-03-PA**

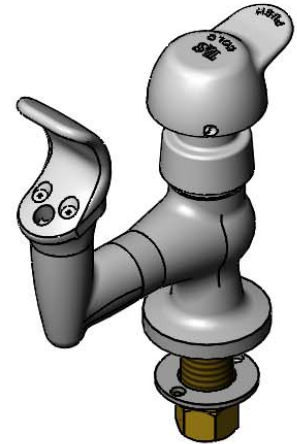
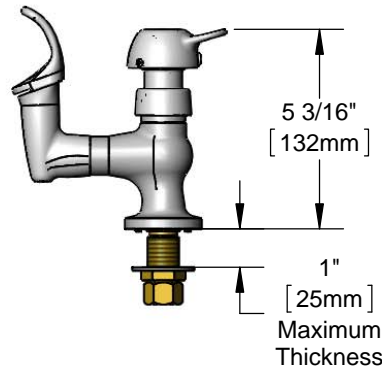
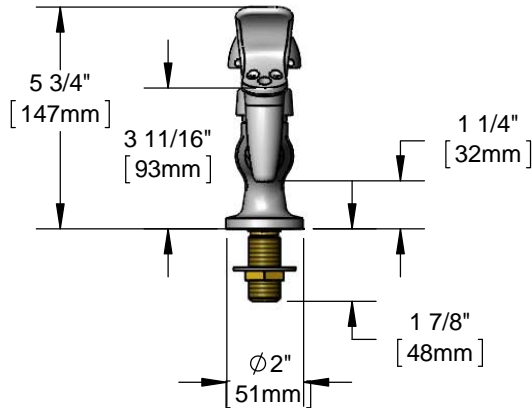
TAG:

*Bubbler*

**Architect/Engineering Specifications:**

Deck mount bubbler with polished chrome plated brass body and brass mouth guard, adjustable outlet flow control, metering cartridge and 1/2" NPSM male inlet with coupling nut. Certified to ASME A112.18.1/CSA B125.1, NSF 61-Section 9 and NSF 372. Meets ADA ANSI/ICC A117.1 requirements.

Job Name	_____
Model Specified	_____ Quantity _____
Variations Specified	_____
Date	_____



**Features & Benefits:**

- Deck mount bubbler with polished chrome plated brass body and brass mouth guard
- Hidden flow control screw provides adjustable outlet flow
- Metering cartridge
- Adjustable metering cycle, 10-30 seconds
- Cold pivot action metering cap
- 1/2" NPSM male inlet with coupling nut
- Mounting flange w/ anti-rotation set screws
- Material: Polished chrome plated brass body, mouth guard and chrome plated metal handle

**Product Compliance:**

- ASME A112.18.1 / CSA B125.1
- NSF 61 - Section 9
- NSF 372 (Low Lead Content)
- ANSI A117.1 (ADA)



**Warranty:** One Year (Limited)



**ADA Compliant**

**Performance Data:**

- Pressure: 20 - 125 psi
- Temperature: 40 °F - 140 °F
- Flow Rate:
  - @ 4" Distance = 0.32 GPM @ 60 psi
  - @ 8" Distance = 0.43 GPM @ 60 psi

**Optional Cartridges**

- Push Button Metering
- Pivot Action Metering (Standard)
- Wrist Action Metering
- Fast Self-Closing



**T&S BRASS AND BRONZE WORKS, INC.**



• 2 Saddleback Cove • Travelers Rest, SC 29690  
 Ph 800-476-4103 • Fax 864-834-3518  
 • Simi Valley, CA • Ph 800-423-0150 • www.tsbrass.com

Date: 12/16/16