



Architect/Engineering Specifications:

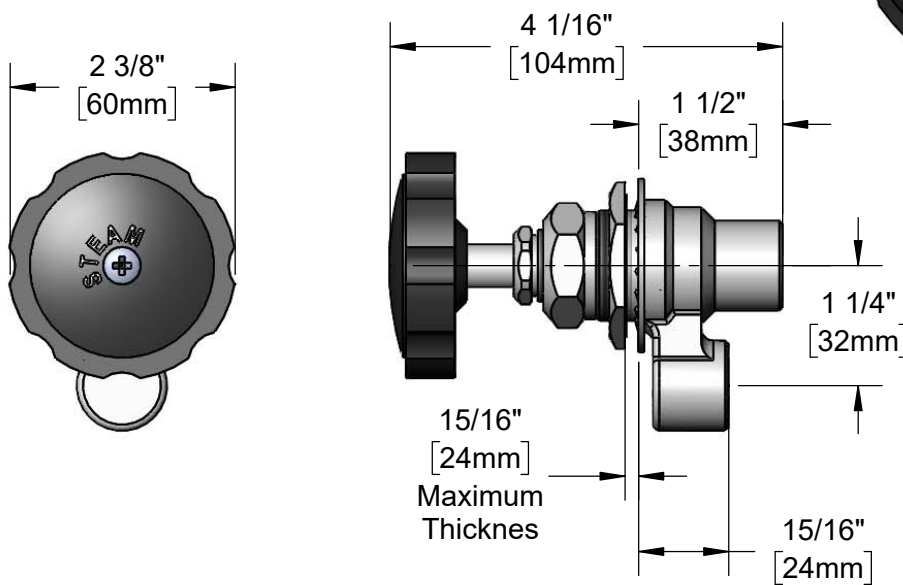
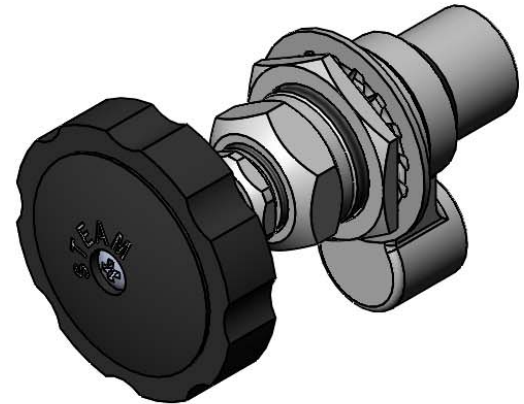
Fume hood steam valve with polished chrome plated brass body, internal stainless steel cone, removable seat, heat resistant handle and 3/8" NPT female inlet and outlet. Certified to ASME Z21.15a/CSA 9.1a.

Job Name \_\_\_\_\_

Model Specified \_\_\_\_\_ Quantity \_\_\_\_\_

Variations Specified \_\_\_\_\_

Date \_\_\_\_\_



Features & Benefits:

- Fume hood steam valve w/ polished chrome plated brass body & handle
- Internal floating stainless steel cone regulates steam flow as handle is turned
- Heat resistant black handle
- 3/8" NPT female inlet and outlet
- Material: Polished chrome plated brass body

Product Compliance:

- ANSI Z21.15a / CSA 9.1a (Gas Valves)

Warranty: One Year (Limited)

Performance Data:

- Pressure: 125 psi max [8.62bar]
- Temperature: 32°F - 125°F [0.00°C - 51.67°C]

