



**Gas Appliance Connectors**  
**AG-7F**

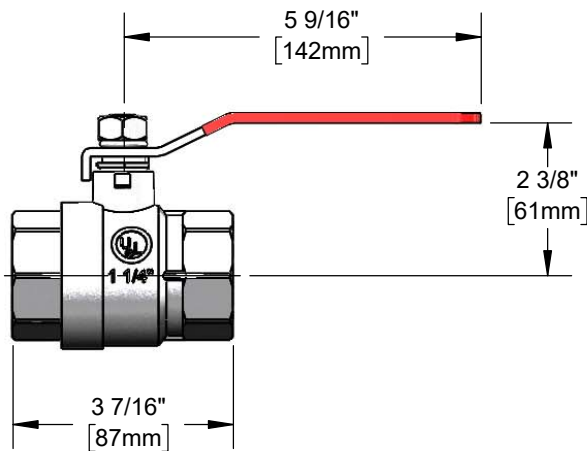
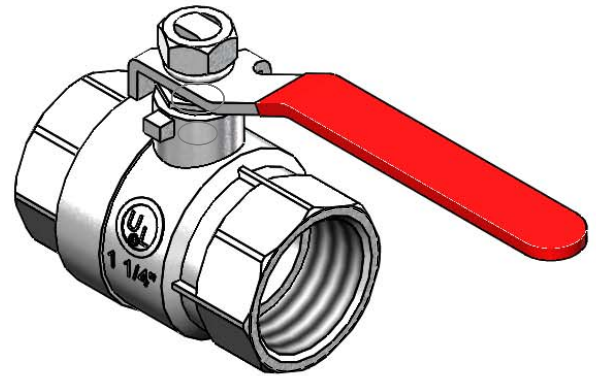
TAG:

*1 1/4" Gas Ball Valve*

**Architect/Engineering Specifications:**

Gas ball valve, 1 1/4" NPT inlet and outlet, full port design. Certified to ANSI Z21.15a / CSA 9.1.

Job Name \_\_\_\_\_  
 Model Specified \_\_\_\_\_ Quantity \_\_\_\_\_  
 Variations Specified \_\_\_\_\_  
 Date \_\_\_\_\_



**Features & Benefits:**

- Gas ball valve
- Blow-out proof valve stem
- 1 1/4" NPT female inlet
- 1 1/4" NPT female outlet
- Full port design provides efficient, full gas flow
- Material: Chrome plated brass

**Product Compliance:**

- ANSI Z21.15a / CSA 9.1a (Gas Valves)
- NFPA 54



**Warranty:** Five Year (Limited)

**Performance Data:**

- Pressure: 0.5 psi max
- Temperature: 32 °F to 125 °F



**T&S BRASS AND BRONZE WORKS, INC.**



• 2 Saddleback Cove • Travelers Rest, SC 29690  
 Ph 800-476-4103 • Fax 864-834-3518  
 • Simi Valley, CA • Ph 800-423-0150 • www.tsbrass.com

Date: 11/17/20