



T&S BRASS AND BRONZE WORKS, INC.
 2 Saddleback Cove / P.O. Box 1088
 Travelers Rest, SC 29690

Model No.
EW-7612

Item No.

Travelers Rest, SC: 800-476-4103 • Simi Valley, CA: 800-423-0150 • Fax: 864-834-3518 • www.tsbrass.com

This Space for Architect/Engineer Approval

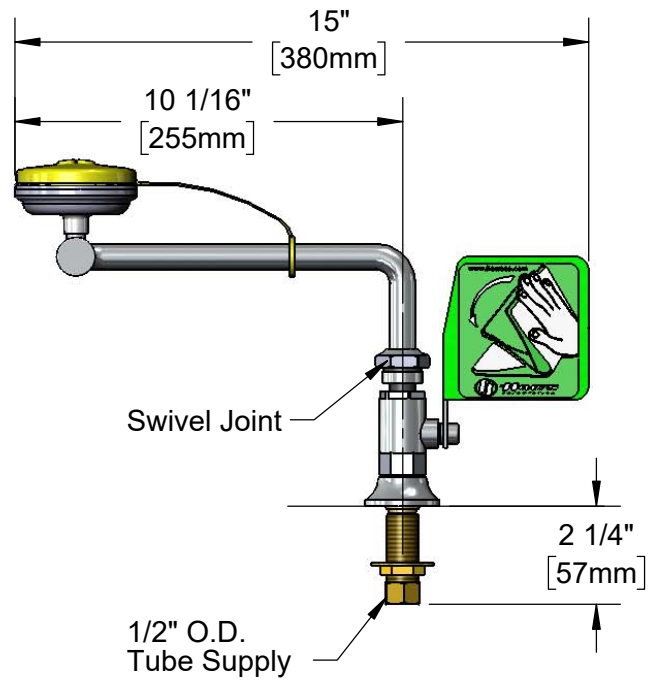
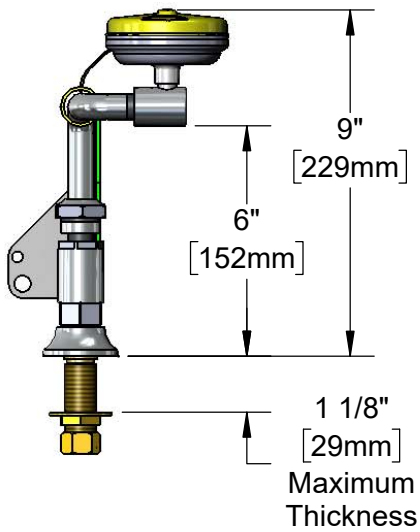
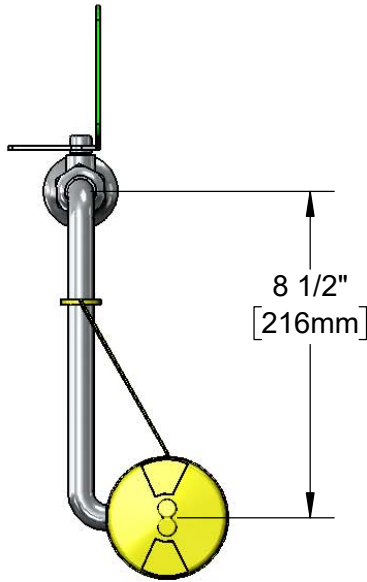
Job Name _____ Date _____

Model Specified _____ Quantity _____

Customer/Wholesaler _____

Contractor _____

Architect/Engineer _____



Note:
 1. ANSI Standard Z358.1 Specifies Eyewash Nozzles to be 33" [838mm] to 45" [1143mm] Above the Floor

2. These Dimensions are for Reference

Product Specifications:
 Countertop Mounted Chrome Plated Polished Brass Eye/Face Wash with Swing Away Feature to Activate, Right Side Mount, Dust Cover, 1/2" O.D. Slip Joint

Product Compliance:
 ANSI Z358.1 (Latest Revision)
 NSF 61 Exempt (Non-Potable)