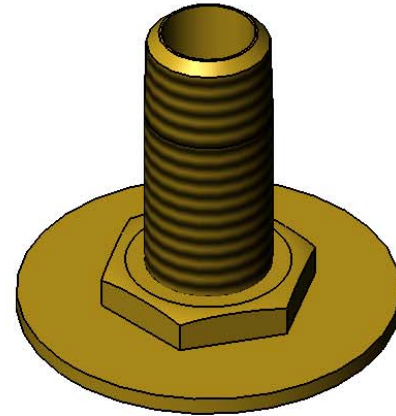
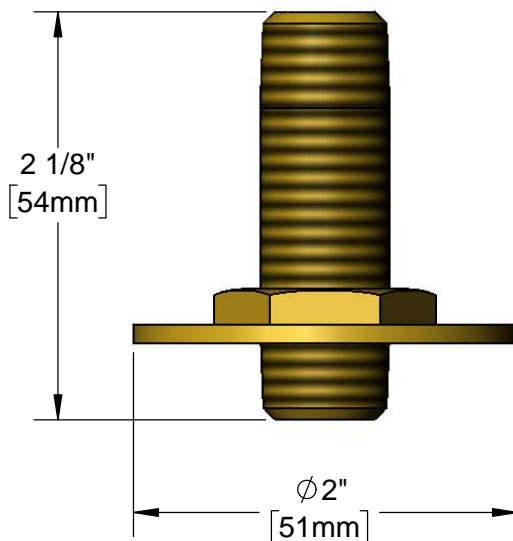




Architect/Engineering Specifications:

Supply nipple unit with lock nut, washer and 3/8" NPT male ends. Certified to NSF 61 -Section 9 and NSF-372.

Job Name _____
 Model Specified _____ Quantity _____
 Variations Specified _____
 Date _____



Features & Benefits:

- Supply nipple unit
- Lock nut and washer
- 3/8" NPT male ends
- Used with panel flanges
- Material: Brass nipple

Product Compliance:

- NSF 61 - Section 9
- NSF 372 (Low Lead Content)
-

Warranty: One Year (Limited)

Performance Data:

- N/A

