



Architect/Engineering Specifications:

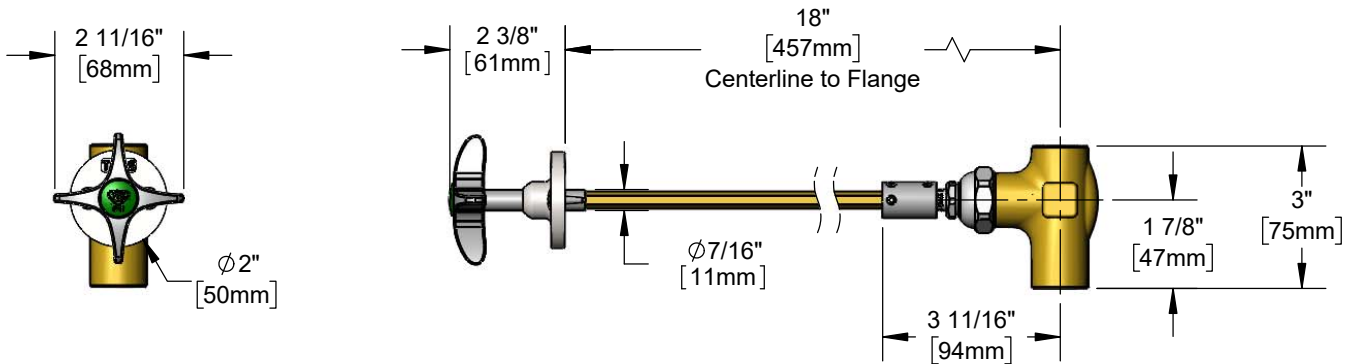
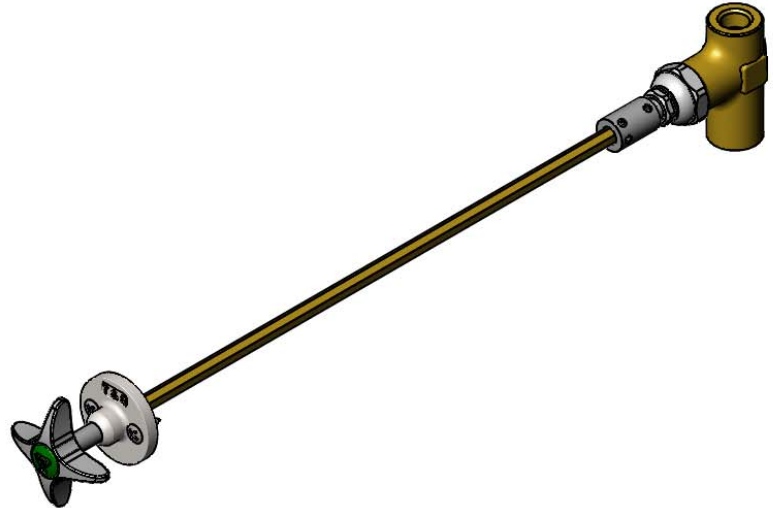
Remote control straight valve with brass body, 18" centerline to flange, 4-arm handle, green (CW) press-in color coded index and 3/8" NPT female inlet and outlet. Certified to ASME A112.18.1/CSA B125.1, NSF 61-Section 9 and NSF 372. Meets ADA ANSI/ICC A117.1 requirements.

Job Name _____

Model Specified _____ Quantity _____

Variations Specified _____

Date _____



Features & Benefits:

- Remote control straight valve with brass body
- 18" centerline to flange
- Eterna compression cartridge
- 4-arm handle w/ green (CW) press-in color coded index
- $\phi 2"$ panel flange with mounting screws
- 3/8" NPT female inlet and outlet
- Material: Brass body and polished chrome plated metal handle

Product Compliance:

- ASME A112.18.1 / CSA B125.1
- NSF 61 - Section 9
- NSF 372 (Low Lead Content)
- ANSI A117.1 (ADA)

Warranty: One Year (Limited)

Performance Data:

- Pressure: 20 - 125 psi [1.38 - 8.62 bar]
- Temperature: 40 °F - 140 °F [4.44 °C - 60 °C]
- Flow Rate: TBD GPM @ 60 psi [4.14 bar]

