



# T&S BRASS AND BRONZE WORKS, INC.

2 Saddleback Cove / P.O. Box 1088  
Travelers Rest, SC 29690

Model No.

**BP-0723-4DP**

Item No.

Travelers Rest, SC: 800-476-4103 • Simi Valley, CA: 800-423-0150 • Fax: 864-834-3518 • www.tsbrass.com

## LAKECREST™

BY T&S



ADA Compliant

This Space for Architect/Engineer Approval

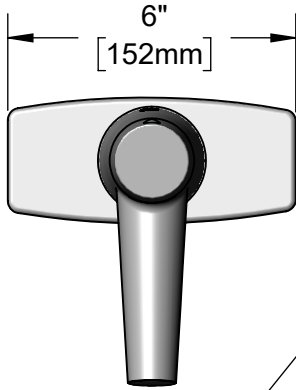
Job Name \_\_\_\_\_ Date \_\_\_\_\_

Model Specified \_\_\_\_\_ Quantity \_\_\_\_\_

Customer/Wholesaler \_\_\_\_\_

Contractor \_\_\_\_\_

Architect/Engineer \_\_\_\_\_



Push Button  
Metering Cartridge

B-0199-M21-V05  
VR 0.5 GPM  
Concealed Non-  
Aerated Spray  
Device

Polished Chrome  
Plated Deck Plate  
w/ Deck Gasket

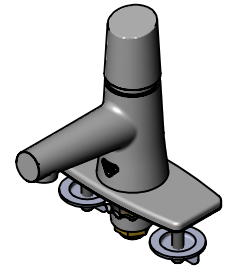
Mounting Surface

2 1/4"  
[57mm]

1/2" NPSM  
Male Inlet

4"  
[102mm]

24" Flexible  
Stainless Steel  
Braided Supply  
Hose w/ 3/8"  
Compression Inlet



8°

6 1/4"  
[159mm]

4 1/16"  
[102mm]

3/4"  
[19mm]  
Maximum  
Thickness

Rough-In Requirement:  
Ø 1" [25mm] Center Hole  
(2) Ø 1 1/8" [29mm] Mounting Hole

### Product Specifications:

LakeCrest Single Hole Single Temperature Deck Mount Basin Faucet, Push Button Metering Cartridge, VR 0.5 GPM Concealed Non-Aerated Spray Device, 4" c/c Polished Chrome Plated VR Deck Plate & 1/2" NPSM Male Inlet w/ 24" Flexible Stainless Steel Braided Supply Hose w/ 3/8" Compression Inlet

### Product Compliance:

ASME A112.18.1 / CSA B125.1  
NSF 61 - Section 9  
NSF 372 (Low Lead Content)  
ANSI A117.1 (ADA)



# T&S BRASS AND BRONZE WORKS, INC.

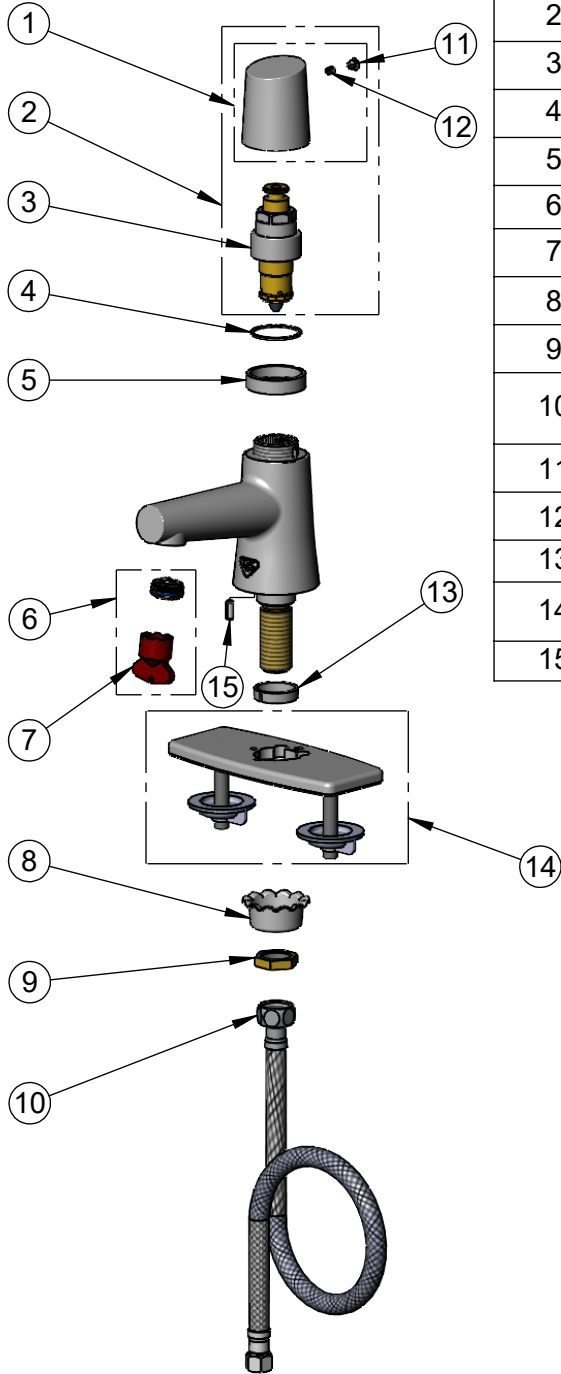
2 Saddleback Cove / P.O. Box 1088  
Travelers Rest, SC 29690

Model No.

**BP-0723-4DP**

Item No.

Travelers Rest, SC: 800-476-4103 • Simi Valley, CA: 800-423-0150 • Fax: 864-834-3518 • www.tsbrass.com



ITEM NO.	SALES NO.	DESCRIPTION
1	020817-40	Blank Push Button Cap w/ Screw & Index
2	020820-40	Metering Cartridge w/ Push Button Cap
3	020506-40	Metering Cartridge
4	020510-45	Metering Cartridge Bushing
5	020509-45	Metering Thread Shield
6	B-0199-M21-V05	0.5 GPM Concealed Spray Device, M21.5 x 1
7	020674-45	M21.5 x 1 Red Cache Key
8	001000-45	Rosette Washer
9	002954-45	Shank Lock Nut
10	017420-45	1/2" NPSM x 3/8" Compression, Flexible Supply Hose, 24" Long
11	020570-45	Chrome Blank Index
12	016675-45	Set Screw
13	020231-20	Deckplate Spacer
14	013433-40	4" Universal Deck Plate, Gasket & Mounting Hardware
15	013825-45	Spring Pin, 3/16" Diameter x 1/2" Long

**Product Specifications:**

LakeCrest Single Hole Single Temperature Deck Mount Basin Faucet, Push Button Metering Cartridge, VR 0.5 GPM Concealed Non-Aerated Spray Device, 4" c/c Polished Chrome Plated VR Deck Plate & 1/2" NPSM Male Inlet w/ 24" Flexible Stainless Steel Braided Supply Hose w/ 3/8" Compression Inlet

**Product Compliance:**

ASME A112.18.1 / CSA B125.1  
NSF 61 - Section 9  
NSF 372 (Low Lead Content)  
ANSI A117.1 (ADA)