



# Portable Handwashing Stations

## TPS1010-B0520V5

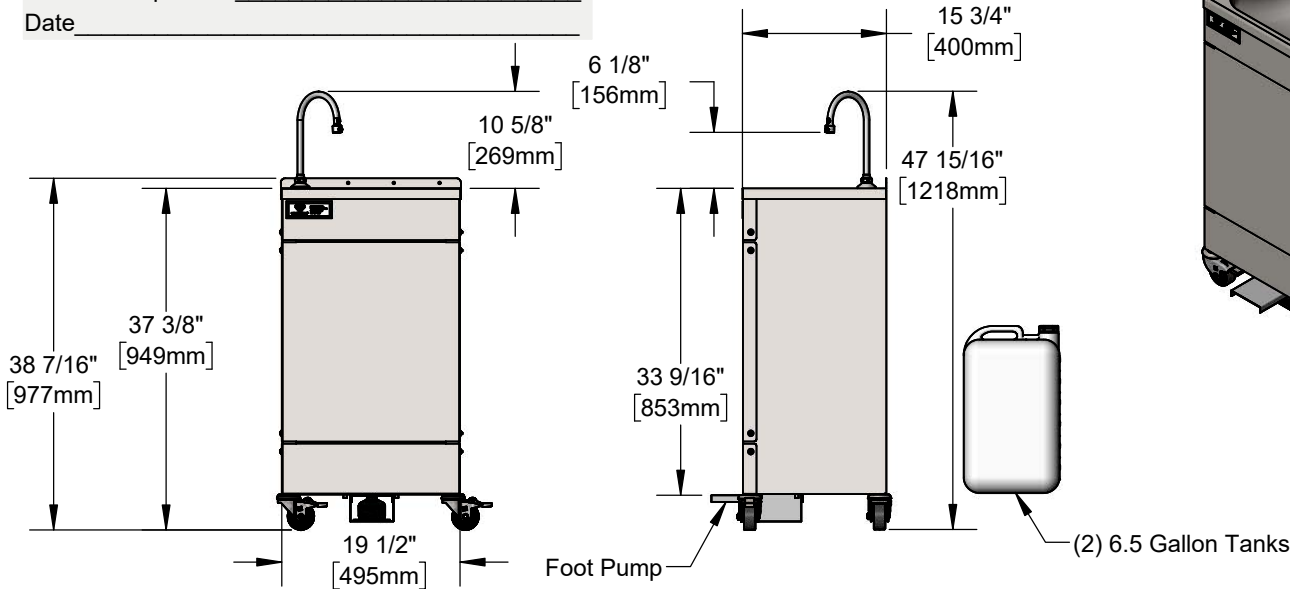
TAG:

### Portable Handwashing Station

#### Architect/Engineering Specifications:

Portable stainless steel handwashing station with two onboard 6.5 gallon tanks for fresh water and waste, foot pump, swivel casters, deck mount rigid/swivel gooseneck with polished chrome plated brass deck flange and gooseneck, 0.5 GPM vandal resistant non-aerated spray device and 1/2" NPSM male inlet. Certified to ASME A112.18.1/CSA B125.1 and NSF 372.

Job Name \_\_\_\_\_  
 Model Specified \_\_\_\_\_ Quantity \_\_\_\_\_  
 Variations Specified \_\_\_\_\_  
 Date \_\_\_\_\_



#### Features & Benefits:

- Portable handwashing station
- (2) 6.5 gallon tanks for fresh water & waste
- Foot pump for hands free operation
- (4) swivel casters: 2 locking & 2 standard
- Deck mount rigid/swivel dummy gooseneck for remote locations
- 5 3/4" rigid/swivel gooseneck
- Lock washer provided for rigid application
- 0.5 GPM VR non-aerated spray device, Series 6 (B-0199-06-N05)
- 1/2" NPSM male inlet w/ Ø2" flange
- Tailpiece and nut for 1/4" NPT male connection
- Material: 22-gauge stainless steel handwashing station, polished chrome plated brass flange, tubular spout & plastic tanks

#### Product Compliance:

- ASME A112.18.1 / CSA B125.1
- NSF 372 (Low Lead Content)
- NSF 61 Exempt (Non-Potable)



**Warranty:** One Year (Limited)



#### Performance Data:

- Flow Rate: 0.5 GPM [1.89 l/min] @ 60 psi [4.14 bar]

#### Optional Accessories

- Swivel Casters (Standard)
- Backsplash w/ Soap and Paper Towel Holder
- 5 Gallon Waste Tank



T&S BRASS AND BRONZE WORKS, INC.



• 2 Saddleback Cove • Travelers Rest, SC 29690  
 Ph 800-476-4103 • Fax 864-834-3518  
 • Simi Valley, CA • Ph 800-423-0150 • www.tsbrass.com

Date: 08/25/21