



Architect/Engineering Specifications:

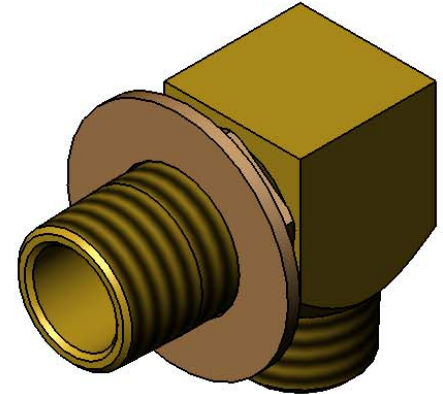
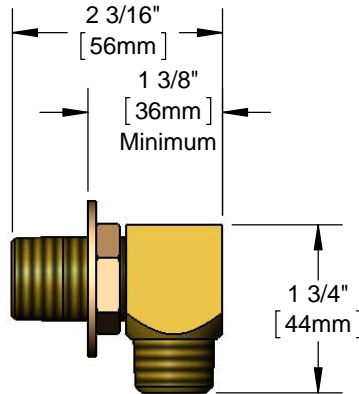
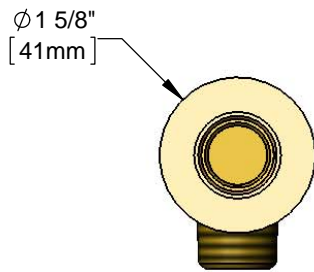
Elbow kit. Two short elbows, nipples, lock nuts and washers that provide 1/2" NPT male inlet and outlet when assembled. Certified to ASME A112.18.1/CSA B125.1, NSF 61-Section 9 and NSF 372.

Job Name _____

Model Specified _____ Quantity _____

Variations Specified _____

Date _____



Features & Benefits:

- Elbow kit
- Two short elbows with 1/2" NPT male inlet and 1/2" NPT female outlet
- Two 1/2" NPT supply nipples with lock nuts and washers
- Material: Brass

Product Compliance:

- ASME A112.18.1 / CSA B125.1
- NSF 61 - Section 9
- NSF 372 (Low Lead Content)



Warranty: One Year (Limited)

Performance Data:

- N/A

