



# Electronic Faucets

## 5EF-1D-DS

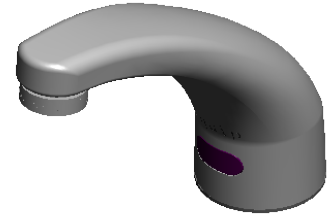
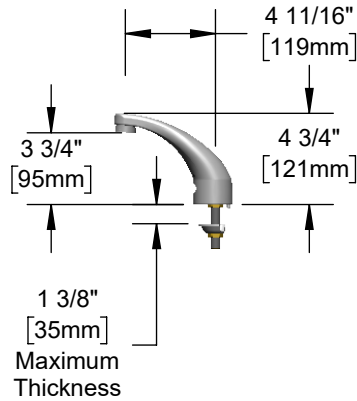
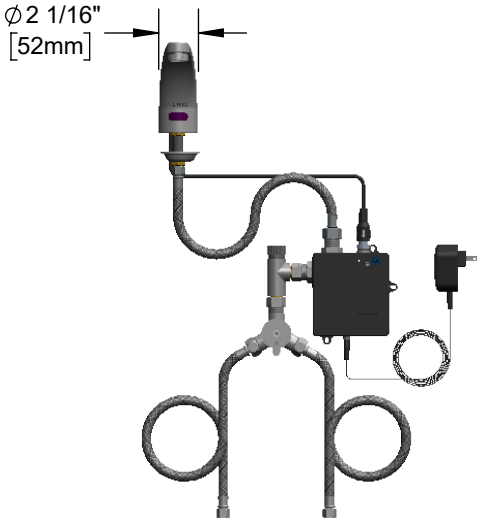
TAG:

### Electronic Sensor Faucet

#### Architect/Engineering Specifications:

Single hole deck mount electronic sensor faucet with polished chrome plated brass body, 2.2 GPM vandal resistant aerator, AC/DC control module, temperature control mixing valve with integral check valves and 18" flexible stainless steel supply hoses with 3/8" compression connections. Certified to ASME A112.18.1/CSA B125.1, NSF 61-Section 9, NSF 372 and UL 1951. Meets ADA ANSI/ICC A117.1 requirements

Job Name \_\_\_\_\_  
 Model Specified \_\_\_\_\_ Quantity \_\_\_\_\_  
 Variations Specified \_\_\_\_\_  
 Date \_\_\_\_\_



#### Features & Benefits:

- Single hole deck mount faucet w/ polished chrome plated brass body
- 2.2 GPM vandal resistant aerator, Series 9 (B-0199-09)
- Water resistant control module
- Plug in AC transformer or (4) AA battery (DC) power options
- Temperature control mixing valve w/ integral check valves
- 18" flexible stainless steel supply hoses w/ 3/8" compression connections
- Low battery LED indicator light
- Material: Polished chrome plated brass body & spout

#### Product Compliance:

- ASME A112.18.1 / CSA B125.1
- NSF 61 - Section 9
- NSF 372 (Low Lead Content)
- ANSI A117.1 (ADA)
- UL 1951



ADA Compliant

Warranty: One Year (Limited)



#### Performance Data:

- Pressure: 20 - 125 psi [1.38 - 8.62 bar]
- Temperature: 40°F - 140°F [4.44°C - 60°C]
- Flow Rate: 2.2 GPM [8.3 L/min] @ 60 psi [4.14 bar]
- Water Consumption: @10 sec = .37 gal [1.40 L]  
@15 sec = .55 gal [2.08 L]

#### Optional Outlets (Series 4 / VR Series 9)

GPM	Aerated	Non-Aerated (Laminar)	VR Aerated	VR Non-Aerated (VR Laminar)	Optional Deck Plates
0.35	N/A	<input type="checkbox"/> B-0199-04-N035	N/A	<input type="checkbox"/> B-0199-09-N035	<input type="checkbox"/> 4" Chrome Plated Brass Deck Plate
0.5	N/A	<input type="checkbox"/> B-0199-04-N05	N/A	<input type="checkbox"/> B-0199-09-N05	<input type="checkbox"/> 8" Chrome Plated Brass Deck Plate
1.0	N/A	N/A	N/A	<input type="checkbox"/> B-0199-09-LF10	
1.5	<input type="checkbox"/> B-0199-04-WS	N/A	<input type="checkbox"/> B-0199-09-WS	<input type="checkbox"/> B-0199-09-LF15	
2.2	<input type="checkbox"/> B-0199-04	<input type="checkbox"/> B-0199-25	Standard	<input type="checkbox"/> B-0199-27	



equip Foodservice Accessories



• 2 Saddleback Cove • Travelers Rest, SC 29690  
 Ph 800-891-4808 • Fax 800-868-0084  
 www.tsbrass.com

Date: 12/29/23