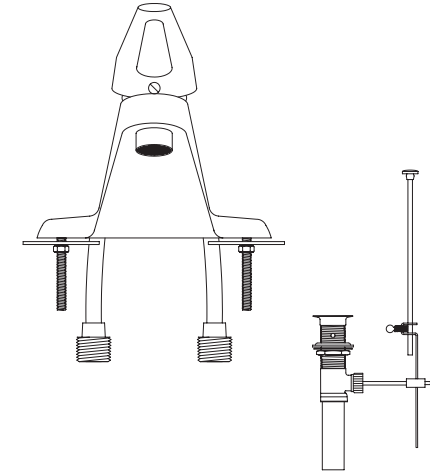


# Installation and Maintenance Instructions

## Equip Single Lever Faucet (with or without Pop-Up) 5SL-1000 5SL-1001



### Limited One Year Warranty

Equip warrants to the original purchaser (other than for purposes of resale) that such product is free from defects in material and workmanship for a period of one (1) year from the date of purchase. During this one-year warranty period, if the product is found to be defective, Equip shall, at its option, repair and/or replace it. To obtain warranty service, products must be returned to.....

### Equip

Attn: Warranty Repair Department  
P.O. Box 1088, 2 Saddleback Cove  
Travelers Rest, SC 29690

Shipping, freight, insurance, and other transportation charges of the product to Equip and the return of repaired or replaced product to the purchaser are the responsibility of the purchaser. Repair and/or replacement shall be made within a reasonable time after receipt by Equip of the returned product. This warranty does not cover items which have received secondary finishing or have been altered or modified after purchase, or for defects caused by physical abuse to or misuse of the product, or shipment of the products.

Any express warranty not provided herein, and any remedy for Breach of Contract which might arise, is hereby excluded and disclaimed. Any implied warranties of merchantability or fitness for a particular purpose are limited to one year in duration. Under no circumstance shall Equip be liable for loss of use or any special consequential cost, expenses or damages.

Some states do not allow limitations on how long an implied warranty lasts or the exclusion or limitation of incidental or consequential damages, so the above limitations or exclusions may not apply to you. Specific rights under this warranty and other rights vary from state to state.

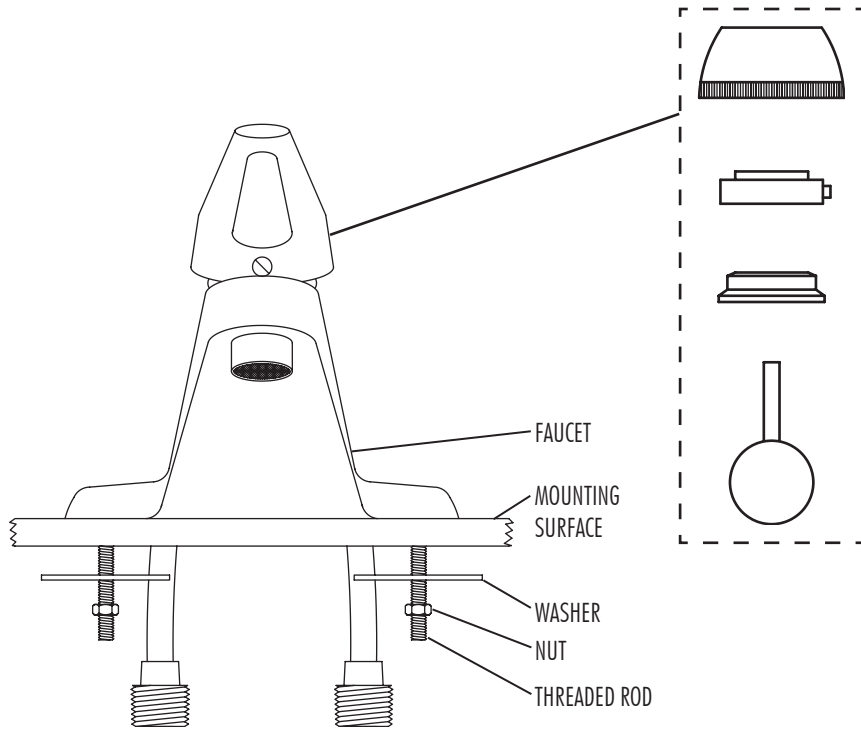
P/N: 098-015324-45 REV 0  
DATE: 02-17-05  
DRAWN: TEH  
CHECKED: DLT 02-18-05  
APPROVED: MVW 02-21-05

**equip**

equip  
P.O. BOX 1088, 2 SADDLEBACK COVE  
TRAVELERS REST, SOUTH CAROLINA 29690  
PHONE: 800.891.4808 FAX: 800.868.0084

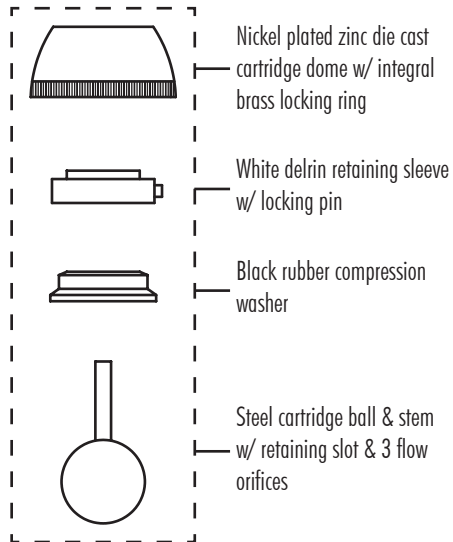


## FAUCET INSTALLATION

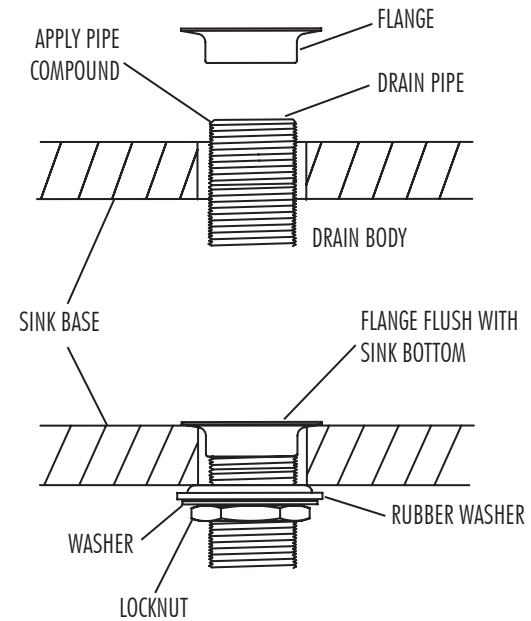


### SERVICE PARTS

REPLACEMENT  
CARTRIDGE  
015232-45



## POP-UP VALVE INSTALLATION



1. Insert drain body from bottom of sink drain hole, reassemble flange to drain body, tightening as far as possible.
2. Slide rubber washer on drain pipe up against bottom of sink. Tighten washer and locknut firmly against base for a tight seal.
3. Insert pop-up stem and complete pop-up assembly shown in Figure 1.

Figure 1

Side view  
faucet and  
pop-up  
assembly

