



# Eyewash Stations

## EW-7360B-TMV

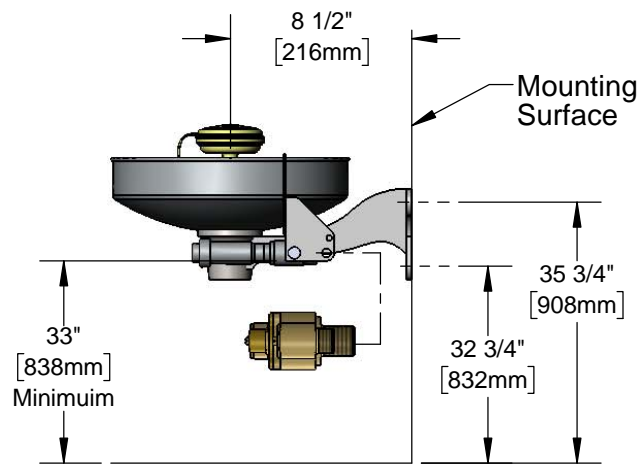
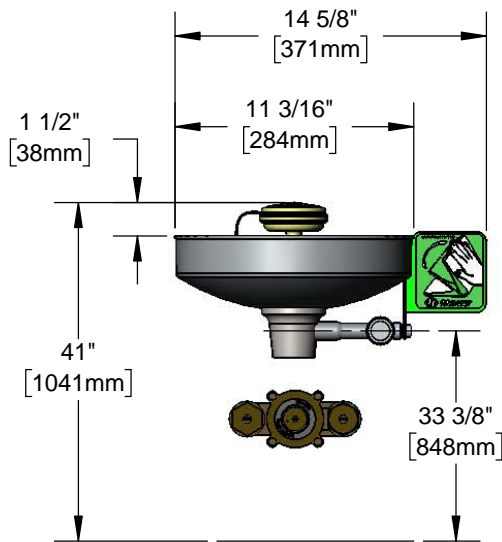
TAG:

### Wall Mount Eye Wash

#### Architect/Engineering Specifications:

Wall mount eye/face wash, round stainless steel receptor with chrome plated brass stay open ball valve, plastic eye wash head with laminar flow device, integral flip top dust cover, thermostatic mixing valve, 1/2" NPT inlet and 1 1/4" NPT waste outlet. Certified to ANSI Z358.1.

Job Name \_\_\_\_\_  
 Model Specified \_\_\_\_\_ Quantity \_\_\_\_\_  
 Variations Specified \_\_\_\_\_  
 Date \_\_\_\_\_



#### Features & Benefits:

- Round stainless steel receptor with chrome plated brass stay open ball valve
- Wall mount eye/face wash
- Plastic eye wash head with laminar flow device
- Integral flip top dust cover
- Thermostatic mixing valve
- 1/2" NPT inlet
- 1 1/4" NPT waste outlet
- Material: Stainless steel receptor, chrome plated brass ball valve and ABS plastic eyewash head

#### Product Compliance:

- ANSI Z358.1 (Latest Revision)
- NSF 61 Exempt (Non-Potable)
- ASSE 1071 (TMV)

**Warranty:** One Year (Limited)

#### Performance Data:

- Pressure: 30 - 90 psi
- Temperature: 60 °F - 100 °F
- Flow Rate: 3.7 GPM @ 60 psi



T&S BRASS AND BRONZE WORKS, INC.



• 2 Saddleback Cove • Travelers Rest, SC 29690  
 Ph 800-476-4103 • Fax 864-834-3518  
 • Simi Valley, CA • Ph 800-423-0150 • www.tsbrass.com

Date: 04/06/17