



Gas Appliance Connectors

AG-5D

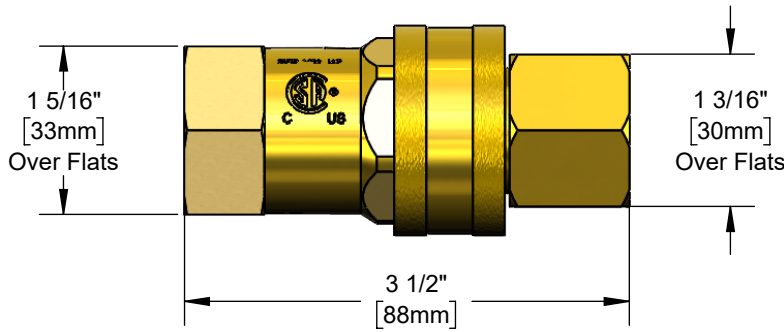
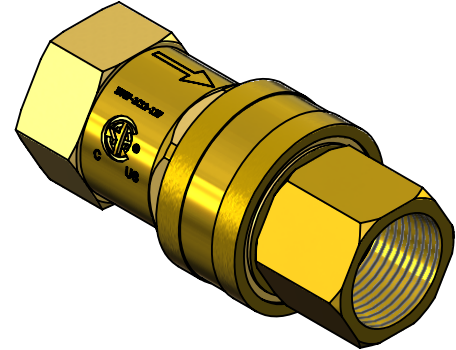
TAG:

3/4" NPT Quick Disconnect

Architect/Engineering Specifications:

2-Piece quick disconnect, 3/4" NPT. Certified to ANSI Z21.41 / CSA 6.9 and NSF 2.

Job Name _____
 Model Specified _____ Quantity _____
 Variations Specified _____
 Date _____



Features & Benefits:

- 2-Piece quick disconnect
- 3/4" NPT female freespin inlet
- 3/4" NPT female freespin outlet
- Provides efficient, full gas flow
- Quick-disconnect socket acts as shut-off valve when the plug and socket are disconnected
- Material: Brass socket & plug

Product Compliance:

- ANSI Z21.41 / CSA 6.9
- NSF 2
- NFPA 54



Warranty: Five Year (Limited)

Performance Data:

- Pressure: 0.5 psi max
- Temperature: 350 °F max w/ Fusible Link Thermal Shut-off
- Flow Rate: 212,000 BTU/HR min (Tested at 1000 BTU/HR, SG=0.64, Pressure Drop=0.3" Water Column)
- Quick Disconnect on Various Size and Length Connectors (Tested at 1000 BTU/HR, SG=0.64, Pressure Drop=0.5" Water Column)

Model	Size	Connector Length				
		24"	36"	48"	60"	72"
AG-5D	3/4"	235,000	220,000	180,000	290,000	140,000



T&S BRASS AND BRONZE WORKS, INC.



• 2 Saddleback Cove • Travelers Rest, SC 29690
 Ph 800-476-4103 • Fax 864-834-3518
 • Simi Valley, CA • Ph 800-423-0150 • www.tsbrass.com

Date: 07/24/23