



T&S BRASS AND BRONZE WORKS, INC.
 2 Saddleback Cove / P.O. Box 1088
 Travelers Rest, SC 29690

Model No.
B-3950-01-SB

Item No.

Travelers Rest, SC: 800-476-4103 • Simi Valley, CA: 800-423-0150 • Fax: 864-834-3518 • www.tsbrass.com

This Space for Architect/Engineer Approval

Job Name _____ Date _____

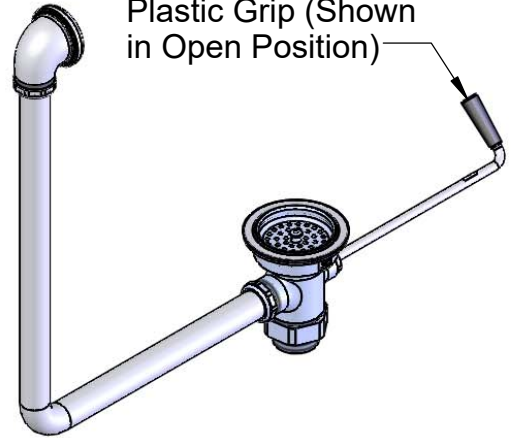
Model Specified _____ Quantity _____

Customer/Wholesaler _____

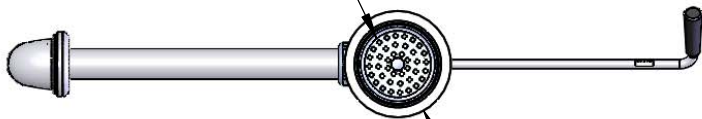
Contractor _____

Architect/Engineer _____

Twist Handle w/
 Heat Resistant
 Plastic Grip (Shown
 in Open Position)



010387-45
 Removable
 Strainer Basket

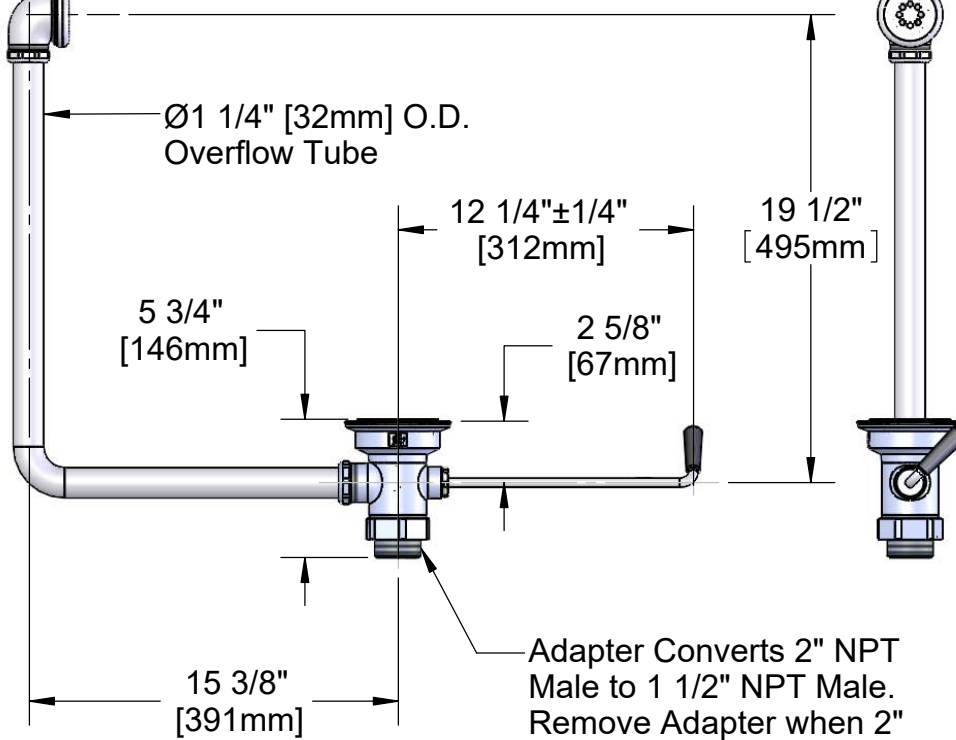


Ø2 11/16"
 [68mm]

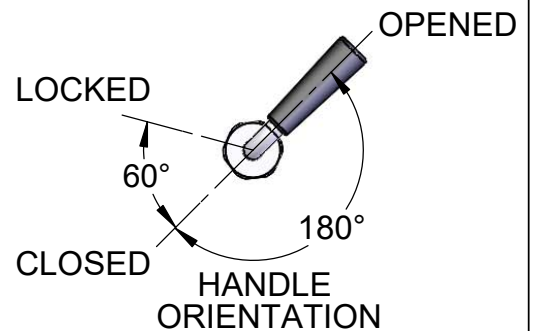
Ø4 7/16"
 [113mm]

Ø2" [51mm] Opening Required

Ø1 1/4" [32mm] O.D.
 Overflow Tube



Adapter Converts 2" NPT
 Male to 1 1/2" NPT Male.
 Remove Adapter when 2"
 NPT Male Thread is Needed.



Product Specifications:
 Rotary Waste Valve w/ Twist Handle, 3 1/2" Sink Opening, 2" NPT
 Male Outlet, 1 1/2" NPT Male Adapter & Overflow Tube w/ Head
 Assembly & Removable Strainer Basket

Product Compliance:
 ASME A112.18.1 / CSA B125.1



T&S BRASS AND BRONZE WORKS, INC.

2 Saddleback Cove / P.O. Box 1088
Travelers Rest, SC 29690

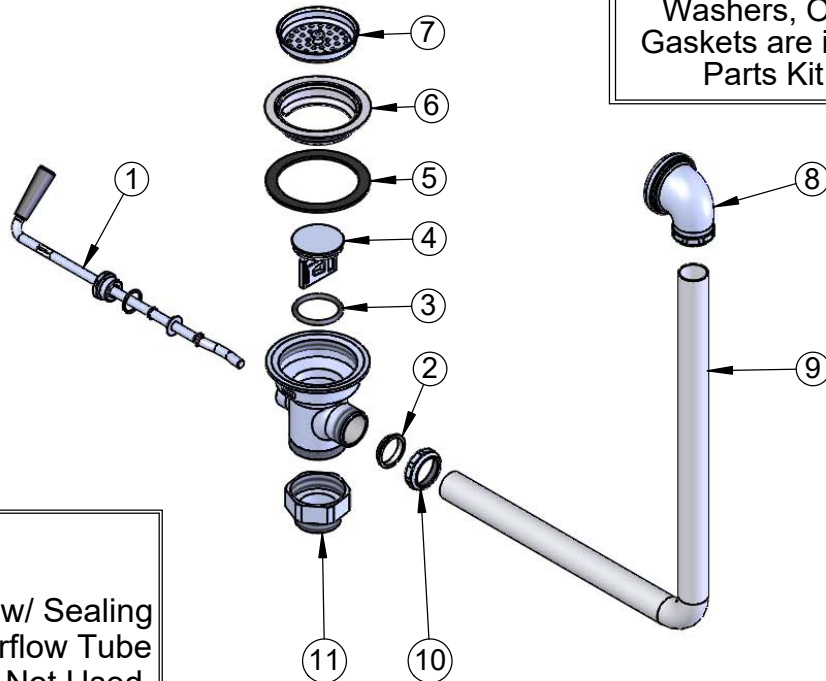
Model No.

B-3950-01-SB

Item No.

Travelers Rest, SC: 800-476-4103 • Simi Valley, CA: 800-423-0150 • Fax: 864-834-3518 • www.tsbrass.com

ITEM NO.	SALES NO.	DESCRIPTION
1	010393-45	Handle Asm, Rotary Waste Valve Twist
2	010390-45	Ferrule, Coupling Nut
3	010389-45	O-Ring, Plunger
4	010388-45	Plunger, Lever and Twist Drain
5	010382-45	Gasket, 3 1/2" Face Flange
6	010384-45	Flange, 3 1/2" Face
7	010387-45	3 1/2" Crumb Cup Strainer
8	011356-45	Head Asm, Overflow Tube
9	011355-45	Tube, Overflow Elbow
10	010391-45	Nut, Coupling for Twist Drain
11	B-3945	Adapter, 2" NPT x 1 1/2" NPT



Also Furnished w/ Sealing Cap When Overflow Tube Coupling Nut is Not Used.
PN# 012640-45

Product Specifications:

Rotary Waste Valve w/ Twist Handle, 3 1/2" Sink Opening, 2" NPT Male Outlet, 1 1/2" NPT Male Adapter & Overflow Tube w/ Head Assembly & Removable Strainer Basket

Product Compliance:

ASME A112.18.1 / CSA B125.1