



T&S BRASS AND BRONZE WORKS, INC.

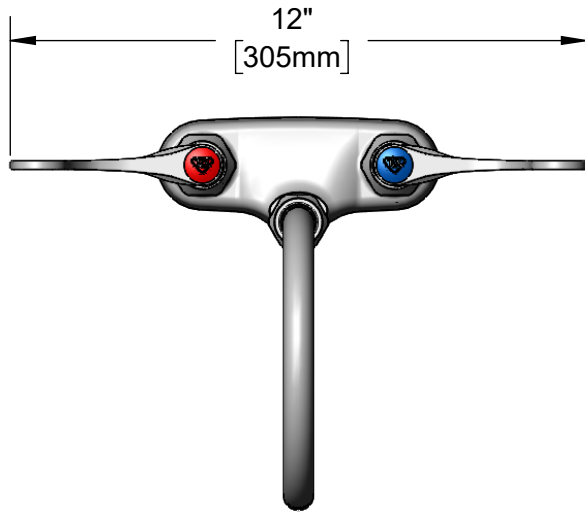
2 Saddleback Cove / P.O. Box 1088
Travelers Rest, SC 29690

Model No.

B-0892-QT-133XP

Item No.

Travelers Rest, SC: 800-476-4103 • Simi Valley, CA: 800-423-0150 • Fax: 864-834-3518 • www.tsbrass.com



This Space for Architect/Engineer Approval

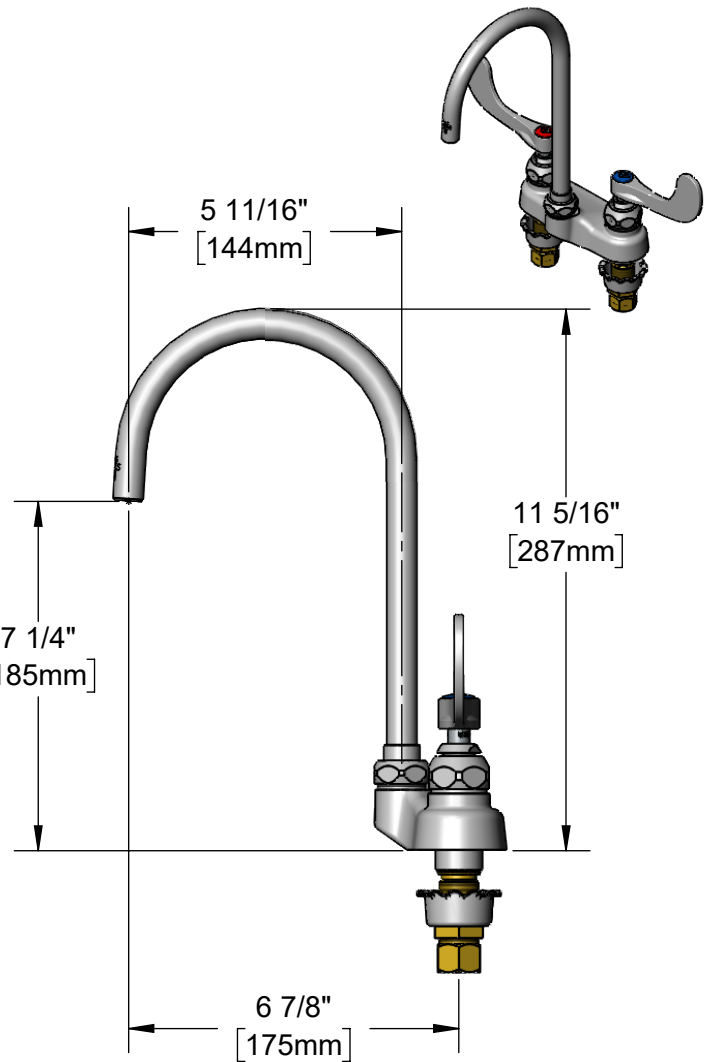
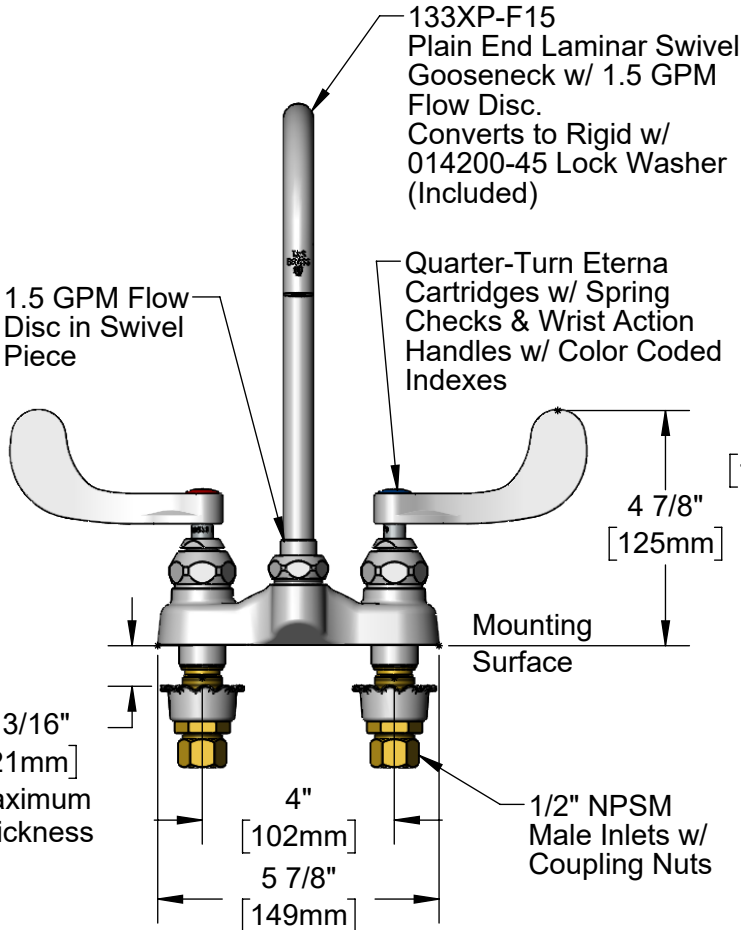
Job Name _____ Date _____

Model Specified _____ Quantity _____

Customer/Wholesaler _____

Contractor _____

Architect/Engineer _____



Rough-In Requirement:
(2) ϕ 1 1/8" [26mm] Mounting Holes

Product Specifications:

4" Centerset Deck Mount Mixing Faucet, Quarter-Turn Eterna Cartridges w/ Spring Checks, 4" Wrist Action Handles, 5 11/16" Plain End Laminar Swivel Gooseneck, 1.5 GPM Flow Disc & 1/2" NPSM Male Inlets

Product Compliance:

ASME A112.18.1 / CSA B125.1
NSF 61 - Section 9
NSF 372 (Low Lead Content)
ANSI A117.1 (ADA)
EPA WaterSense



T&S BRASS AND BRONZE WORKS, INC.

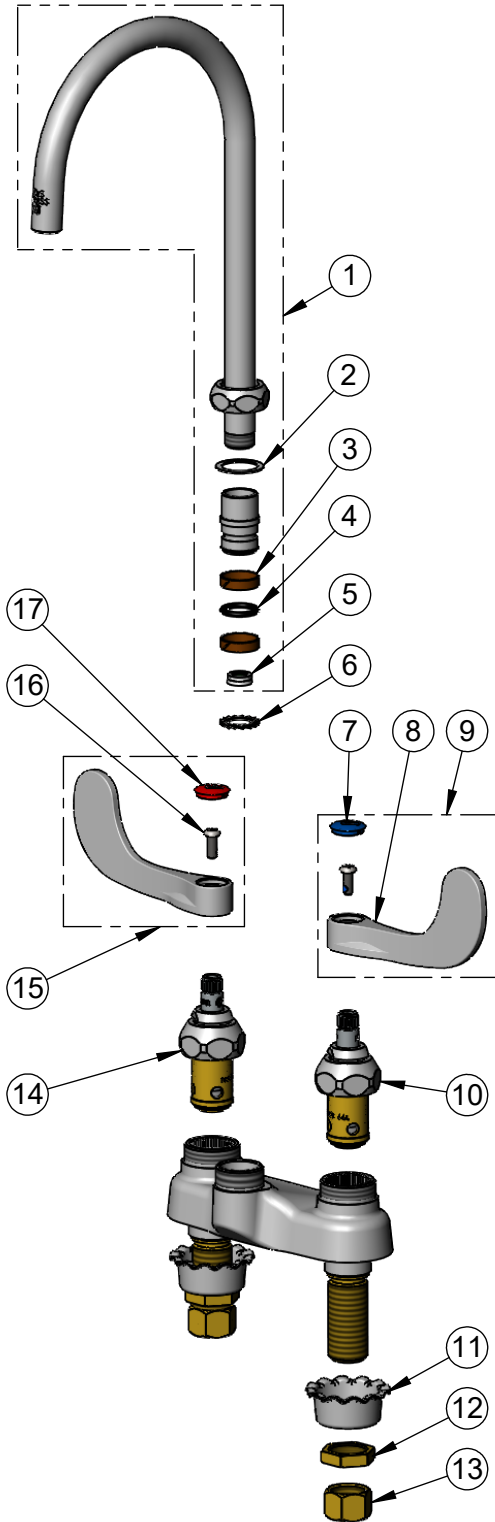
2 Saddleback Cove / P.O. Box 1088
Travelers Rest, SC 29690

Model No.

B-0892-QT-133XP

Item No.

Travelers Rest, SC: 800-476-4103 • Simi Valley, CA: 800-423-0150 • Fax: 864-834-3518 • www.tsbrass.com



ITEM NO.	SALES NO.	DESCRIPTION
1	133XP-F15	Plain End Laminar Swivel Gooseneck w/ 1.5 GPM Flow Disc
2	009538-45	Swivel Washer
3	011429-45	Swivel Sleeves (2)
4	001074-45	O-Ring
5	FD15	Flow Disc, 1.5 GPM [5.68 L/MIN]
6	014200-45	Star Washer, Anti-Rotation
7	018506-19NS	Blue Button Index, Press-in
8	B-WH4-NS	Wrist Action Handle - New Style
9	B-WH4C-NS	Wrist Action Handle, Blue Index & Screw
10	012442-40NS	Quarter-Turn Eterna Cartridge w/ Spring Check, LTC
11	001000-45	Rosette Washer
12	002954-45	Shank Lock Nut
13	000958-20	Coupling Nut
14	012443-40NS	Quarter-Turn Eterna Cartridge w/ Spring Check, RTC
15	B-WH4H-NS	Wrist Action Handle, Red Index & Screw
16	000925-45	Lab Handle Screw
17	001193-19NS	Red Button Index, Press-in

Product Specifications:
4" Centerset Deck Mount Mixing Faucet, Quarter-Turn Eterna Cartridges w/ Spring Checks, 4" Wrist Action Handles, 5 11/16" Plain End Laminar Swivel Gooseneck, 1.5 GPM Flow Disc & 1/2" NPSM Male Inlets

Product Compliance:
ASME A112.18.1 / CSA B125.1
NSF 61 - Section 9
NSF 372 (Low Lead Content)
ANSI A117.1 (ADA)
EPA WaterSense