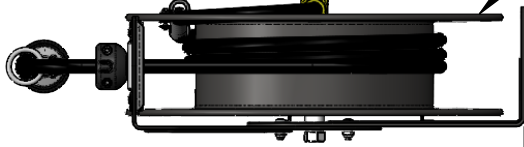


*This Space for Architect/Engineer Approval*

Job Name \_\_\_\_\_ Date \_\_\_\_\_  
 Model Specified \_\_\_\_\_ Quantity \_\_\_\_\_  
 Customer/Wholesaler \_\_\_\_\_  
 Contractor \_\_\_\_\_  
 Architect/Engineer \_\_\_\_\_



Epoxy Coated Steel w/  $\phi$  3/8" x 50' Hose



10 15/16"  
[278mm]

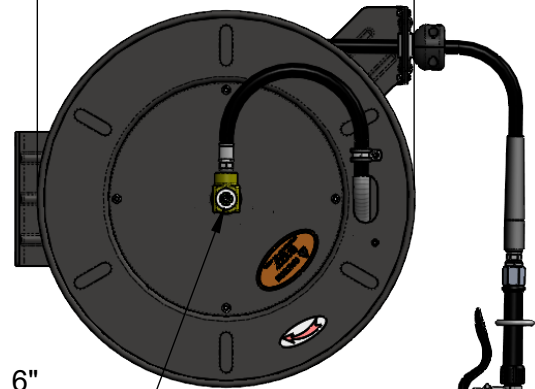
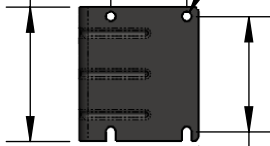
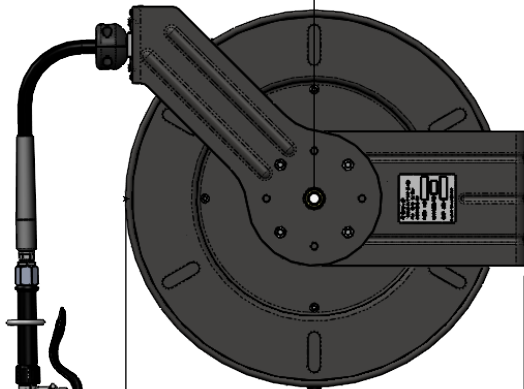
3 15/16"  
[100mm]

7"  
[178mm]

$\phi$  1/2"  
[13mm]  
Mounting Holes  
& Slots

$\phi$  19 5/8"  
[498mm]

9 7/16"  
[240mm]



6"  
[152mm]

6 3/8"  
[162mm]

5SV-WH  
High Flow  
Spray Valve

20 3/4"  
[527mm]

Furnished with 3'  
Connector Hose: 3/8" NPT x  
Garden Hose Swivel Female

Stainless Steel Shaft &  
Brass Swivel w/ 3/8" NPT  
Female Inlet (Left Side of Reel)

Model Number

**5HR-242-01-GH**

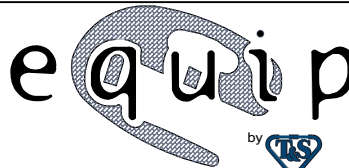
Product Specifications:

Epoxy Coated Steel, Open Hose Reel  
w/  $\phi$  3/8" x 50' Hose, High Flow Spray Valve and  
3' Connector Hose

Product Compliance:

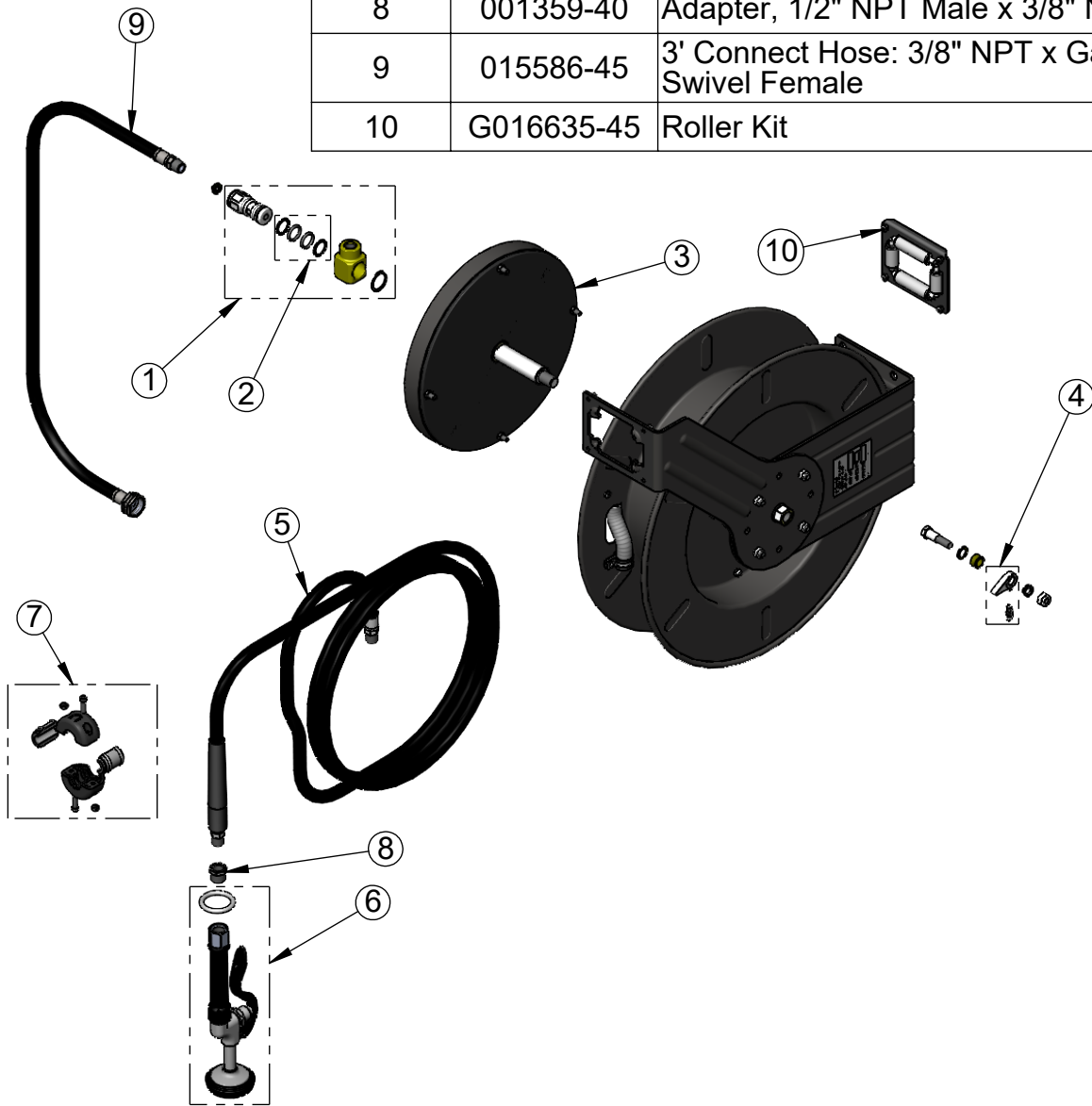
EPA Act 2005 Non-Compliant (PRSV)  
NSF 61 Exempt (Non-Potable)

equip  
Foodservice  
Accessories



2 Saddleback Cove, P.O. Box 1088  
Travelers Rest, South Carolina 29690  
Phone: 800.891.4808 Fax: 800.868.0084  
equip.tsbrass.com

ITEM NO.	SALES NO.	DESCRIPTION
1	5HR-2SA	Complete 3/8" Swivel
2	014948-45	Seal Kit
3	G016684-45	Spring
4	014940-45	Ratchet Repair Kit
5	5HR-2HSE-50	Ø 3/8" x 50' Hose
6	5SV-WH	Hose Reel Spray Valve
7	019246-45	Hose Stop Repair Kit
8	001359-40	Adapter, 1/2" NPT Male x 3/8" NPT Female
9	015586-45	3' Connect Hose: 3/8" NPT x Garden Hose Swivel Female
10	G016635-45	Roller Kit



Model Number

**5HR-242-01-GH**

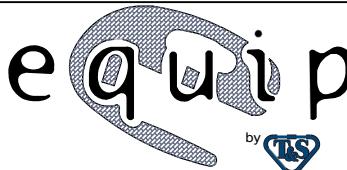
Product Specifications:

Epoxy Coated Steel, Open Hose Reel  
w/ Ø3/8" x 50' Hose, High Flow Spray Valve and  
3' Connector Hose

Product Compliance:

EPA 2005 Non-Compliant (PRSV)  
NSF 61 Exempt (Non-Potable)

equip  
Foodservice  
Accessories



2 Saddleback Cove, P.O. Box 1088  
Travelers Rest, South Carolina 29690  
Phone: 800.891.4808 Fax: 800.868.0084  
equip.tsbrass.com