



**T&S BRASS AND BRONZE WORKS, INC.**  
 2 Saddleback Cove / P.O. Box 1088  
 Travelers Rest, SC 29690

Model No.  
**B-1142-04**

Item No.

Travelers Rest, SC: 800-476-4103 • Simi Valley, CA: 800-423-0150 • Fax: 864-834-3518 • www.tsbrass.com



**ADA Compliant**

This Space for Architect/Engineer Approval

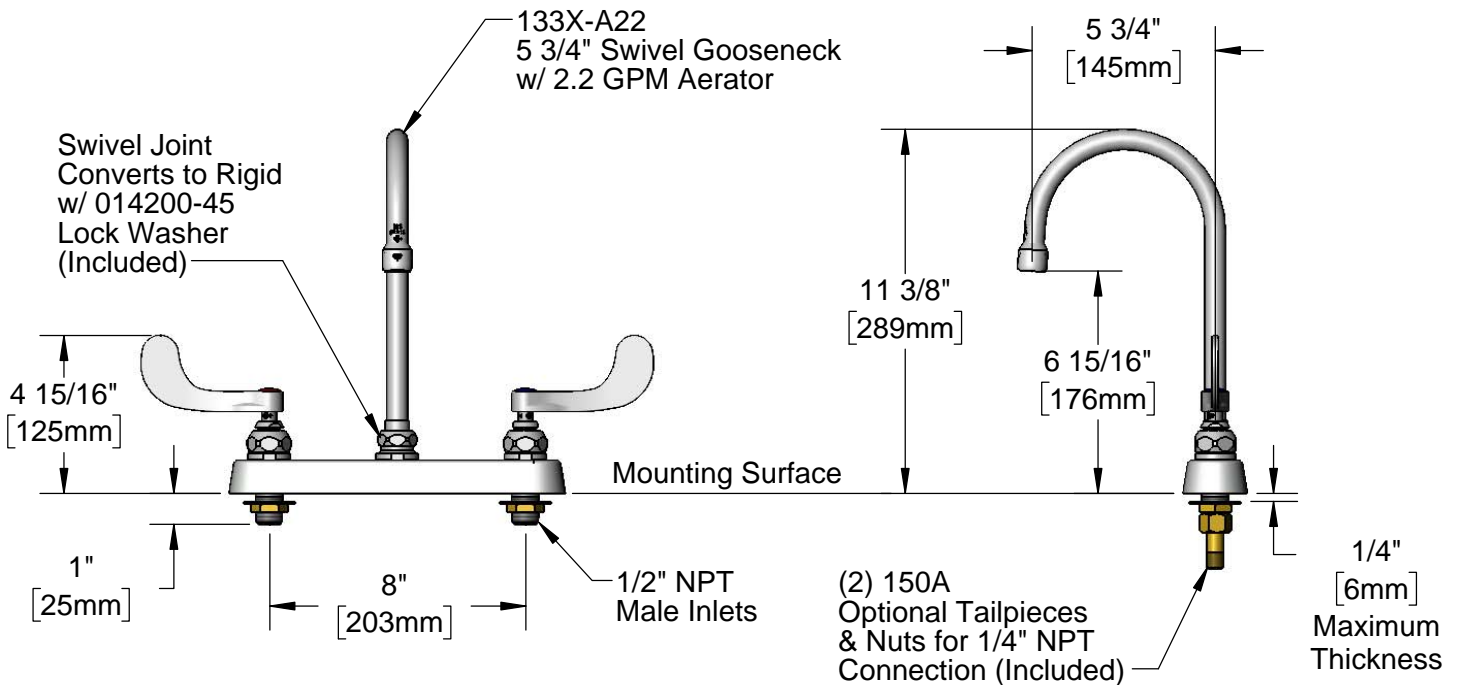
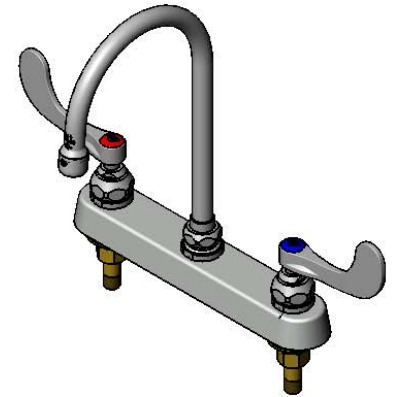
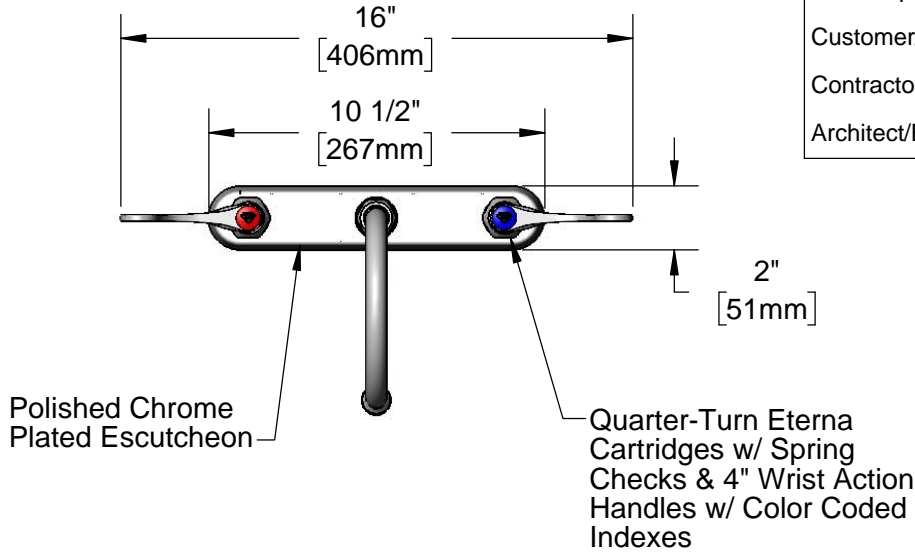
Job Name \_\_\_\_\_ Date \_\_\_\_\_

Model Specified \_\_\_\_\_ Quantity \_\_\_\_\_

Customer/Wholesaler \_\_\_\_\_

Contractor \_\_\_\_\_

Architect/Engineer \_\_\_\_\_



**Rough-In Requirement:**  
 (2)  $\varnothing$  1" [25mm] Mounting Holes

**Product Specifications:**

8" Deck Mount Workboard Faucet, Quarter-Turn Eterna Cartridges w/ Spring Checks, 4" Wrist Action Handles, 5 3/4" Swivel Gooseneck, 2.2 GPM Aerator & 1/2" NPT Male Inlets

**Product Compliance:**

ASME A112.18.1 / CSA B125.1  
 NSF 61 - Section 9  
 NSF 372 (Low Lead Content)  
 ANSI A117.1 (ADA)

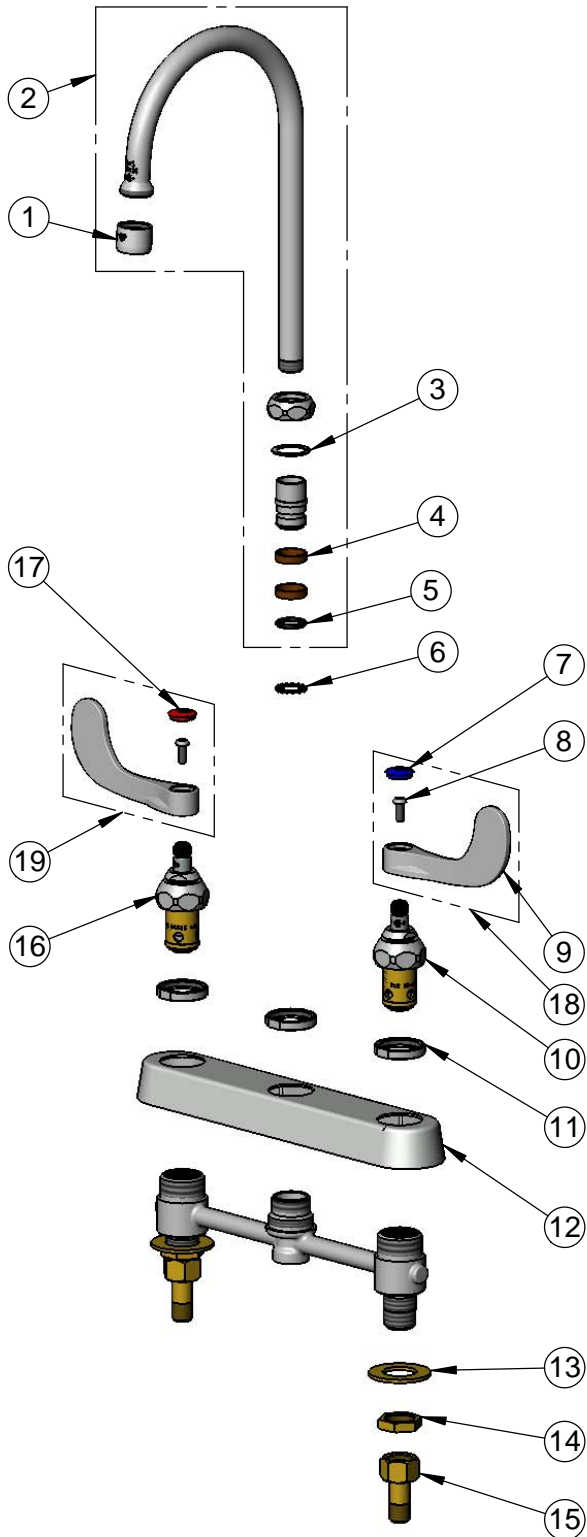


**T&S BRASS AND BRONZE WORKS, INC.**  
 2 Saddleback Cove / P.O. Box 1088  
 Travelers Rest, SC 29690

Model No.  
**B-1142-04**

Item No.

Travelers Rest, SC: 800-476-4103 • Simi Valley, CA: 800-423-0150 • Fax: 864-834-3518 • www.tsbrass.com



ITEM NO.	SALES NO.	DESCRIPTION
1	B-0199-01	2.2 GPM Aerator, 55/64"-27 UN Female
2	133X-A22	5 3/4" Swivel Gooseneck w/ 2.2 GPM Aerator
3	009538-45	Swivel Washer
4	011429-45	Swivel Sleeves (2)
5	001074-45	O-Ring
6	014200-45	Star Washer, Anti-Rotation
7	018506-19NS	Blue Button Index, Press-in
8	000925-45	Lab Handle Screw
9	B-WH4-NS	Wrist Action Handle (New Style)
10	012442-40NS	Quarter-Turn New Style Eterna Cartridge w/ Spring Check, LTC
11	019376-40	Escutcheon Lock Nut
12	019375-40	B-1120 Eterna Workboard Escutcheon
13	000999-45	Brass Lock Washer
14	002954-45	Shank Lock Nut
15	150A	1/4" NPT Tailpiece & Nut
16	012443-40NS	Quarter-Turn New Style Eterna Cartridge w/ Spring Check, RTC
17	001193-19NS	Red Button Index, Press-in
18	B-WH4C-NS	Wrist Action Handle, Blue Index & Screw
19	B-WH4H-NS	Wrist Action Handle, Red Index & Screw

**Product Specifications:**

8" Deck Mount Workboard Faucet, Quarter-Turn Eterna Cartridges w/ Spring Checks, 4" Wrist Action Handles, 5 3/4" Swivel Gooseneck, 2.2 GPM Aerator & 1/2" NPT Male Inlets

**Product Compliance:**

ASME A112.18.1 / CSA B125.1  
 NSF 61 - Section 9  
 NSF 372 (Low Lead Content)  
 ANSI A117.1 (ADA)