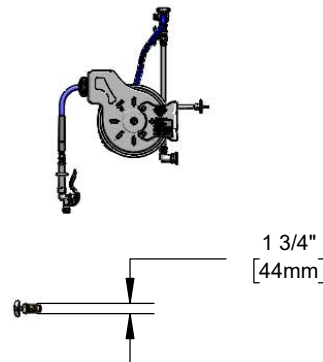
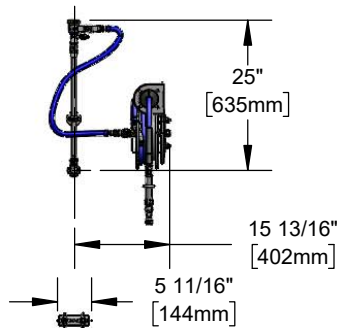




### Architect/Engineering Specifications:

Hose reel system, 3" concealed mixing faucet with polished chrome plated brass escutcheon and rough brass body, compression cartridges with spring checks, 4-arm handles, 3/8" NPT female inlets and outlet, 1/2" NPT in-line check valves, flange elbow with 1/2" NPT inlet, 18" riser, wall bracket, continuous pressure vacuum breaker, 36" flexible water hose connector with stainless steel quick disconnect, open stainless steel hose reel with 3/8" x 15' heavy-duty non-marking hose, ratcheting system, spray valve with quick disconnect, multiple spray heads, multi-fit bracket and adjustable hose bumper. Certified to ASSE 1056. 2019 DOE PRSV - Class I (B-1428) and 2019 DOE PRSV - Class II (B-1421) compliant.

Job Name \_\_\_\_\_  
 Model Specified \_\_\_\_\_ Quantity \_\_\_\_\_  
 Variations Specified \_\_\_\_\_  
 Date \_\_\_\_\_



### Features & Benefits:

- All-in-one system with exposed piping and accessories
- 3" concealed mixing faucet with polished chrome plated brass escutcheon and rough brass body
- Quarter-turn Eterna compression cartridges w/ spring checks to prevent cross flow of water
- 4-arm handles w/ color coded indexes
- Mixing faucet, 3/8" NPT female inlets and outlet
- (2) 1/2" NPT in-line check valves
- Flange elbow with 1/2" NPT inlet and 18" riser
- 6" wall bracket
- Continuous pressure vacuum breaker
- 36" flexible water hose connector with stainless steel quick disconnect
- Opened stainless steel hose reel
- Quick-connect self-closing spray valve
- (3) quick-connect spray heads
- Quick-connect 0.65 GPM fan jet nozzle
- Brush attachment
- 3/8" x 15' heavy-duty non-marking hose rated to 300 PSI
- Ratcheting system holds the length of hose until a slight tug to retract automatically
- Adjustable hose bumper
- Multi-fit bracket for wall, ceiling or under counter mounting
- Material: Brass faucet body and check valves, polished chrome plated brass escutcheon, riser and spray valve body, chrome plated metal handles, vacuum breaker and stainless steel open reel

### Product Compliance:

- NSF 61 Exempt (Non-Potable)
- ASSE 1056 (VB)
- 2019 DOE PRSV - Class I (B-1428)
- 2019 DOE PRSV - Class II (B-1421)



### Warranty: One Year (Limited)

- Hose Reel: Two Year (Limited)
- Hose: One Year (Limited)

### Performance Data:

- Pressure: 20 - 125 psi [1.38 - 8.62 bar]
- Temperature: 40 °F - 140 °F [4.44 °C - 60 °C]
- Flow Rate:
  - B-1421: 1.15 GPM [4.35 L/min] @ 60 psi [4.14 bar]
  - B-1422: 4.01 GPM [15.18 L/min] @ 60 psi [4.14 bar]
  - B-1423: 3.66 GPM [13.85 L/min] @ 60 psi [4.14 bar]
  - B-1428: 0.65 GPM [2.46 L/min] @ 60 psi [4.14 bar]

### Optional Hose Reel Spray Valves

- B-0107 Spray Valve
- B-0108 Ergonomic Medium Flow Spray Valve
- B-0108-H Ergonomic High Flow Spray Valve
- EB-0107 High Flow Spray Valve
- EB-2322 Extended Spray Wand
- MV-2516-24 Stainless Steel Rear Trigger Water Gun
- MV-2522-24 Stainless Steel Front Trigger Water Gun
- MV-3516-24 Aluminum Rear Trigger Water Gun

