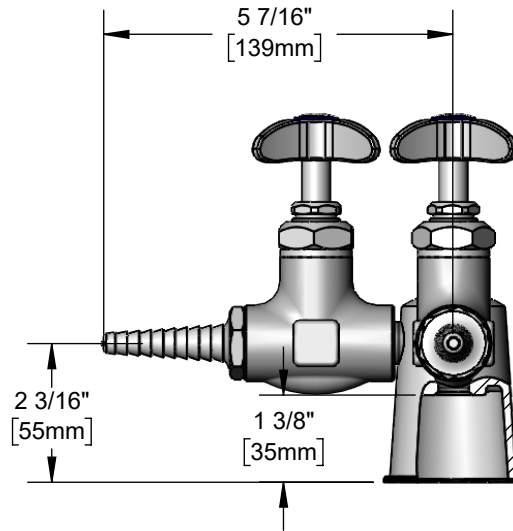
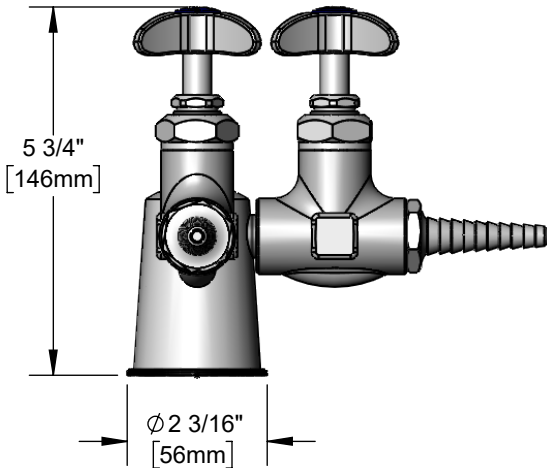
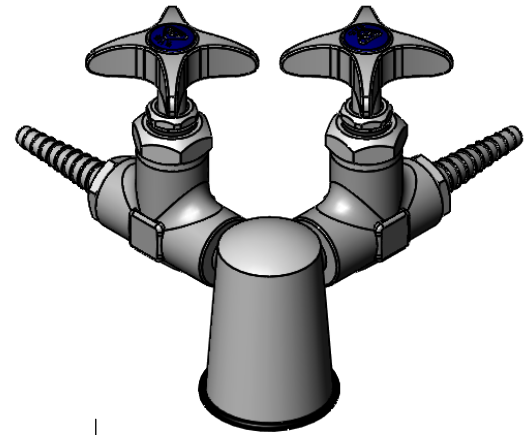




Architect/Engineering Specifications:

Ball valve hose cock with polished chrome plated brass body, 4-arm handles, (2) serrated tip outlets at 90 degrees and 3/8" NPT female inlet. Certified to ANSI Z21.15a / CSA 9.1a.

Job Name _____
Model Specified _____ Quantity _____
Variations Specified _____
Date _____



Features & Benefits:

- Laboratory turret with polished chrome plated brass body
- (2) Serrated tip outlets at 90 degrees, fits 1/4" to 3/8" I.D. hoses
- Press-in color coded indexes (gas, vacuum & air included)
- 3/8" NPT female inlet in base
- Black plastic base gasket
- Material: Polished chrome plated brass body and chrome plated metal handles

Product Compliance:

- ANSI Z21.15a / CSA 9.1a (Gas Valves)

Warranty: One Year (Limited)

Performance Data:

- Pressure:
 - Gas - 0.5 psi [0.03 bar] max
 - Air - 125 psi [8.62 bar] max
 - Vacuum - 30 inches of Mercury [760 Torr] max
- Temperature: 32°F - 125°F [0°C - 52°C]

