



**Electronic Faucets**  
**ECW-3152**

**WAVECREST™**  
BY T&S

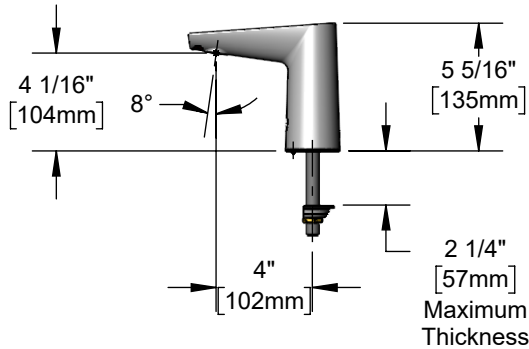
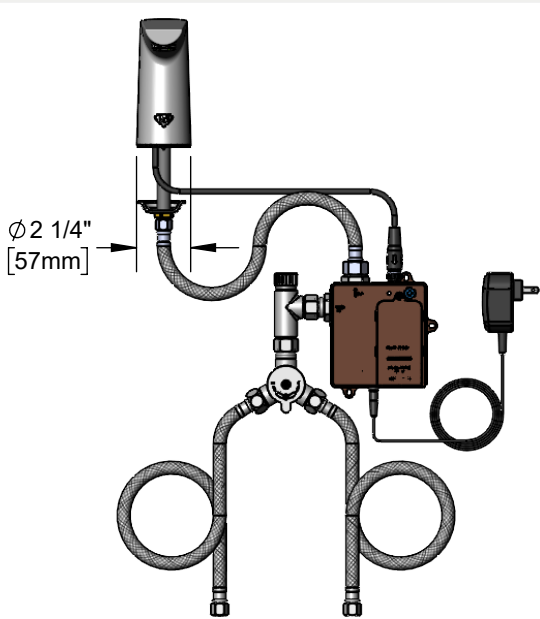
*Electronic Sensor Faucet*

TAG:

**Architect/Engineering Specifications:**

Single hole deck mount electronic sensor faucet with polished chrome plated brass body, 0.5 GPM vandal resistant non-aerated spray device, AC/DC control module with internal flow control setting switches, temperature control mixing valve with integral check valves and 18" flexible stainless steel supply hoses with 3/8" compression connections. Certified to ASME A112.18.1/CSA B125.1, NSF 61-Section 9, NSF 372 and UL 1951. Meets ADA ANSI/ICC A117.1 requirements.

Job Name \_\_\_\_\_  
 Model Specified \_\_\_\_\_ Quantity \_\_\_\_\_  
 Variations Specified \_\_\_\_\_  
 Date \_\_\_\_\_



**Features & Benefits:**

- Single hole deck mount faucet w/ polished chrome plated brass body
- 0.5 GPM vandal resistant non-aerated spray device (B-0199-M21-V05)
- Water resistant control module w/ internal flow control switches for adjusting auto time out & shut off delay settings
- Optional auto flush feature flows water for 30 seconds after every 12 inactive hours
- Optional metering mode
- Plug in AC transformer or (4) AA batteries (DC) power options
- Mechanical temperature mixing valve w/ integral check valves
- 18" flexible stainless steel supply hoses w/ 3/8" compression connections
- Material: Polished chrome plated brass body

**Product Compliance:**

- ASME A112.18.1 / CSA B125.1
- NSF 61 - Section 9
- NSF 372 (Low Lead Content)
- ANSI A117.1 (ADA)
- UL 1951

**Warranty:** Three Year (Limited)

**Performance Data:**

- Pressure: 20 - 125 psi [1.38 - 8.62 bar]
- Temperature: 40°F - 140°F [4.44°C - 60°C]
- Flow Rate: 0.5 GPM [1.9 l/min] @ 60 psi [4.14 bar]
- Water Consumption: @10 sec = .08 gal [.32 L]  
@15 sec = .13 gal [.47 L]



ADA Compliant



**Optional Outlets (M21 Series)**

GPM	VR Aerated	VR Non-Aerated (VR Laminar)
0.35	N/A	<input type="checkbox"/> B-0199-M21-V035
0.5	N/A	<input type="checkbox"/> Standard
1.0	<input type="checkbox"/> B-0199-M21-V10	<input type="checkbox"/> B-0199-M21-VL10
1.5	<input type="checkbox"/> B-0199-M21-V15	<input type="checkbox"/> B-0199-M21-VL15



**T&S BRASS AND BRONZE WORKS, INC.**



• 2 Saddleback Cove • Travelers Rest, SC 29690  
 Ph 800-476-4103 • Fax 864-834-3518  
 • Simi Valley, CA • Ph 800-423-0150 • www.tsbrass.com

Date: 11/14/23