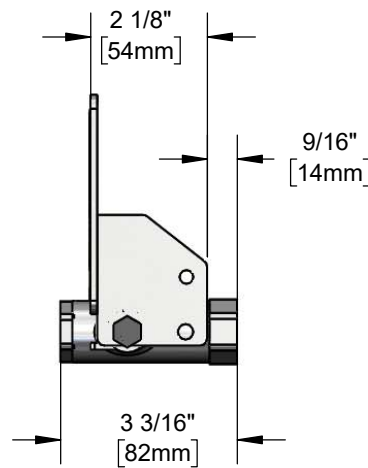
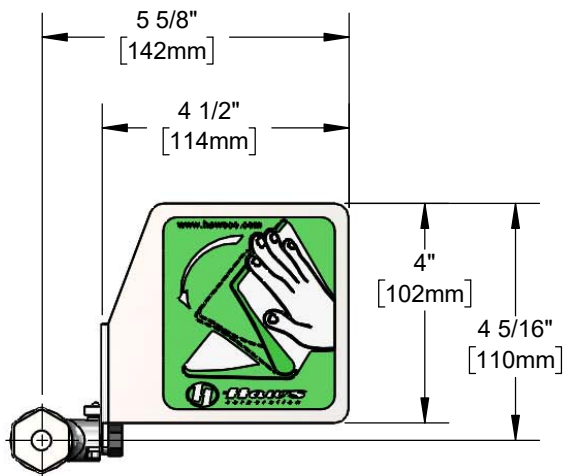
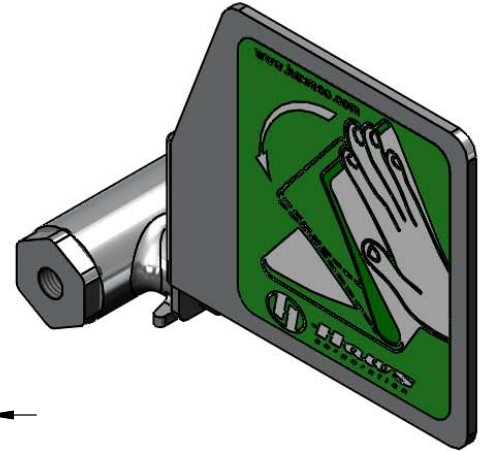




Architect/Engineering Specifications:

Stainless steel push flag with stay open chrome plated brass ball valve, stainless steel stem and ball, 1/2" NPT female inlet and 1/4" NPT female outlet.

Job Name _____
 Model Specified _____ Quantity _____
 Variations Specified _____
 Date _____



Features & Benefits:

- Stainless steel push flag
- Stay open chrome plated brass ball valve
- Stainless steel stem and ball
- 1/2" NPT female inlet
- 1/4" NPT female outlet
- Material: Chrome plated brass valve w/ stainless steel ball and stem

Product Compliance:

- NSF 61 Exempt (Non-Potable)



Warranty: One Year (Limited)

Performance Data:

- Pressure: 30 - 90 psi [2.07 - 6.21 bar]
- Temperature: 60 °F - 100 °F [15.56 °C - 37.78 °C]
- Flow Rate: 3.7 GPM [14.01 L/min] @ 60 psi [4.14 bar]

