



# Eyewash Stations

## EW-7501

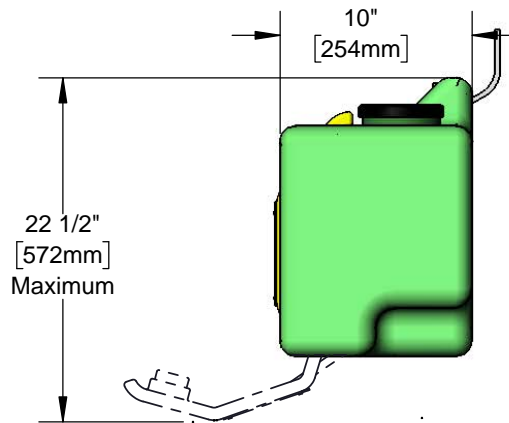
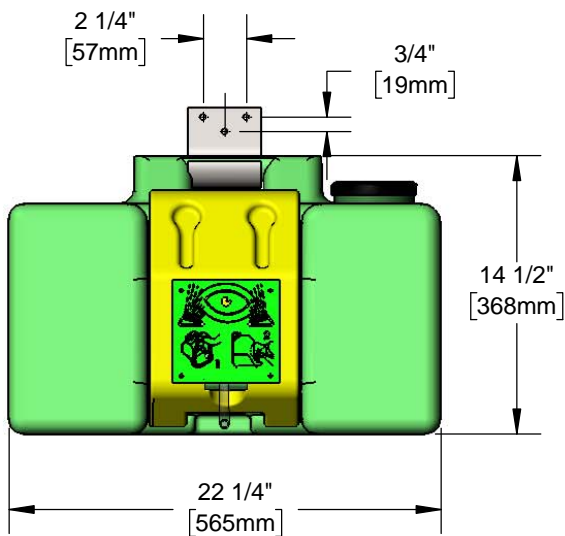
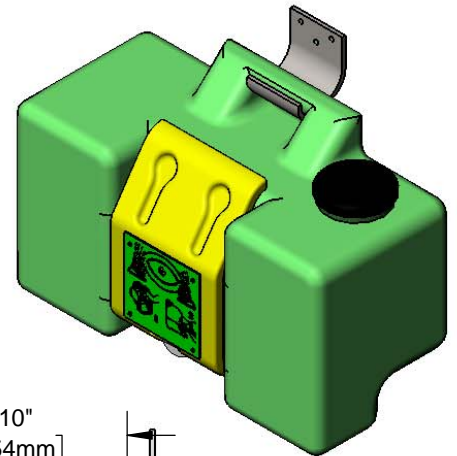
TAG:

### Portable Eyewash Unit

#### Architect/Engineering Specifications:

Nine gallon gravity fed portable eyewash unit with fold down eyewash arm, eyewash heads, tripod anchor, stainless steel socket head cap screw, rubber gasket and wall bracket. Certified to ANSI Z358.1.

Job Name \_\_\_\_\_  
 Model Specified \_\_\_\_\_ Quantity \_\_\_\_\_  
 Variations Specified \_\_\_\_\_  
 Date \_\_\_\_\_



#### Features & Benefits:

- Nine gallon gravity fed portable eyewash unit
- Fold down eyewash arm
- Eyewash heads with tripod anchor and stainless steel socket head cap screw
- Rubber gasket
- Wall bracket
- Material: Polyethylene tank and ABS plastic eyewash heads

#### Product Compliance:

- ANSI Z358.1 (Latest Revision)
- NSF 61 Exempt (Non-Potable)



#### Warranty: One Year (Limited)

#### Performance Data:

- Pressure: 30 - 90 psi
- Temperature: 60 °F - 100 °F
- Flow Rate: 0.4 GPM @ 60 psi



T&S BRASS AND BRONZE WORKS, INC.



• 2 Saddleback Cove • Travelers Rest, SC 29690  
 Ph 800-476-4103 • Fax 864-834-3518  
 • Simi Valley, CA • Ph 800-423-0150 • www.tsbrass.com

Date: 03/14/17