



T&S BRASS AND BRONZE WORKS, INC.
 2 Saddleback Cove / P.O. Box 1088
 Travelers Rest, SC 29690

Model No.
B-7232

Item No.

Travelers Rest, SC: 800-476-4103 • Simi Valley, CA: 800-423-0150 • Fax: 864-834-3518 • www.tsbrass.com

This Space for Architect/Engineer Approval

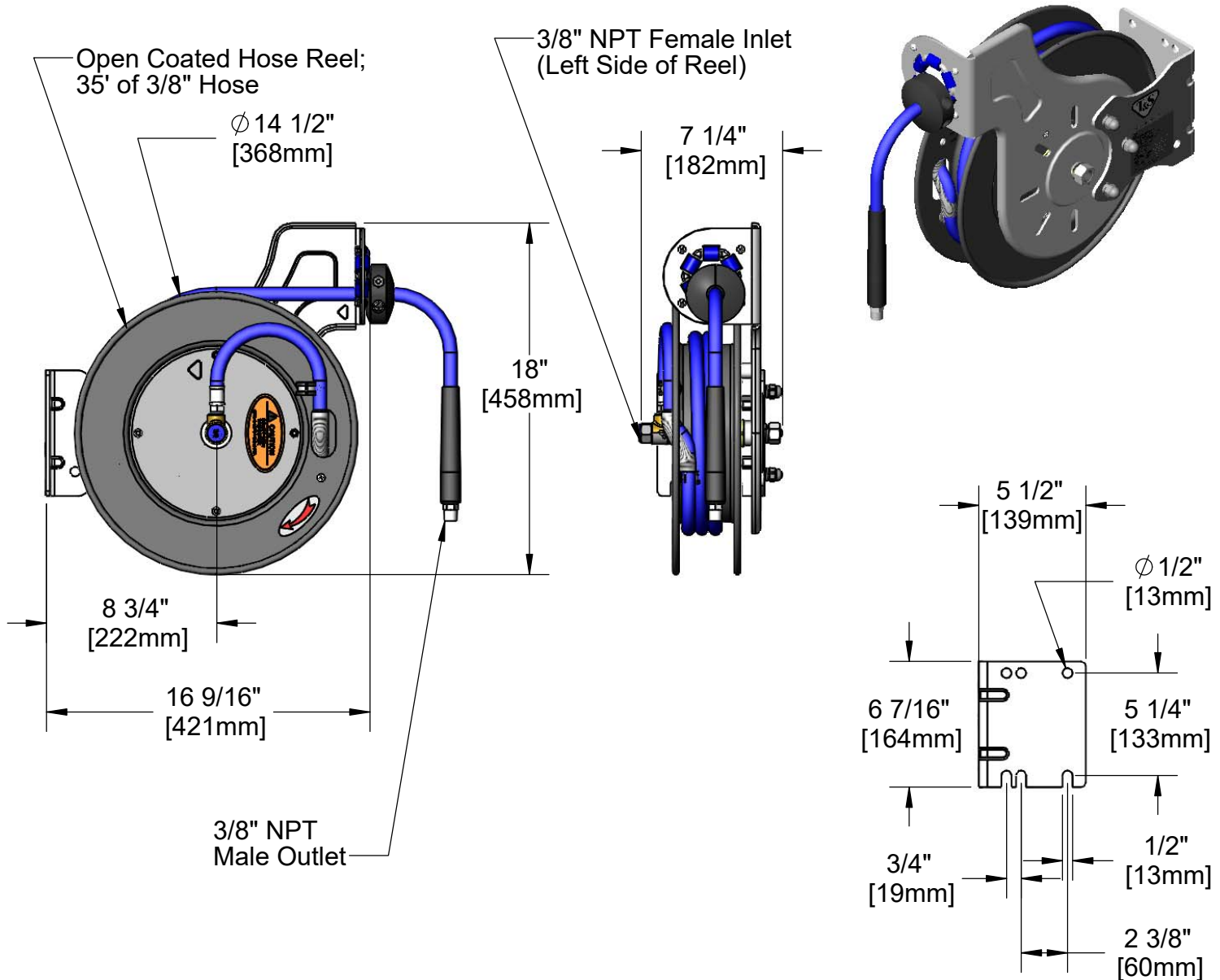
Job Name _____ Date _____

Model Specified _____ Quantity _____

Customer/Wholesaler _____

Contractor _____

Architect/Engineer _____



Product Specifications:
 3/8" x 35' Open Coated Reel Less Spray Valve

Product Compliance:
 NSF 61 Exempt (Non-Potable)



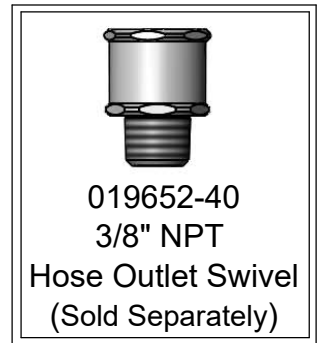
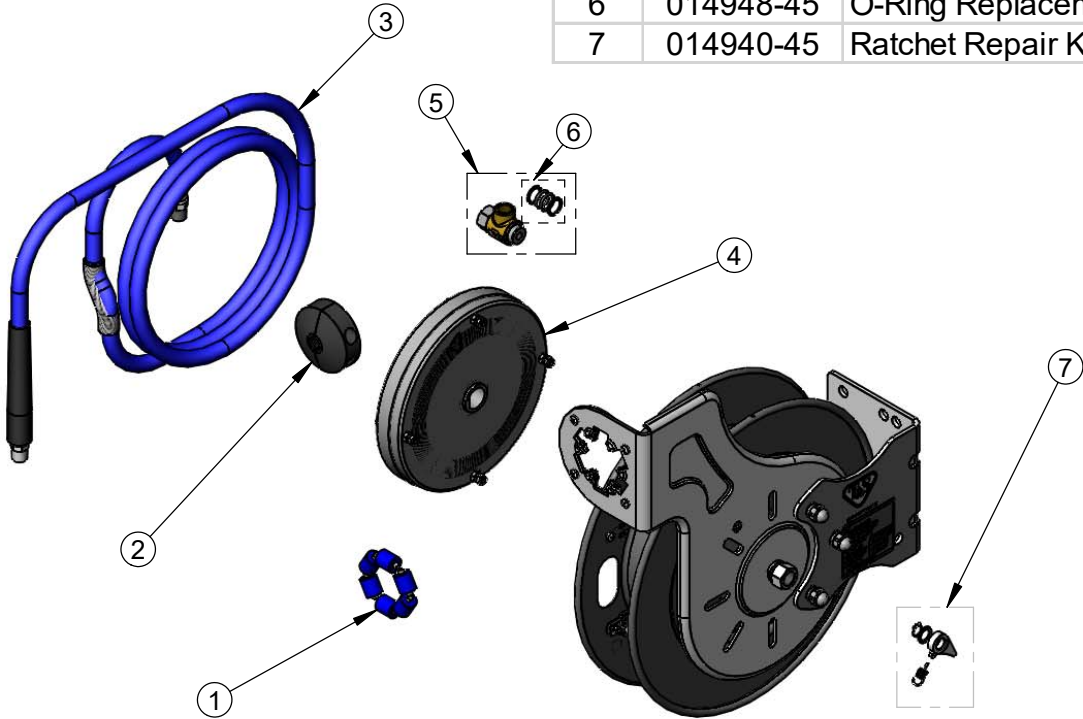
T&S BRASS AND BRONZE WORKS, INC.
 2 Saddleback Cove / P.O. Box 1088
 Travelers Rest, SC 29690

Model No.
B-7232

Item No.

Travelers Rest, SC: 800-476-4103 • Simi Valley, CA: 800-423-0150 • Fax: 864-834-3518 • www.tsbrass.com

ITEM NO.	SALES NO.	DESCRIPTION
1	014938-45	Roller Assembly Repair Kit
2	014949-45	Hose Stop Repair Kit
3	014941-45	3/8" x 35' Hose Replacement Kit
4	014932-45	Small Spring Assembly
5	014946-45	3/8" Swivel Repair Kit
6	014948-45	O-Ring Replacement Kit
7	014940-45	Ratchet Repair Kit



Product Specifications:
 3/8" x 35' Open Coated Reel Less Spray Valve

Product Compliance:
 NSF 61 Exempt (Non-Potable)