



# Loose Key Stops

## B-1344

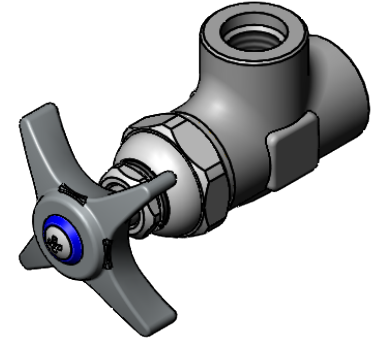
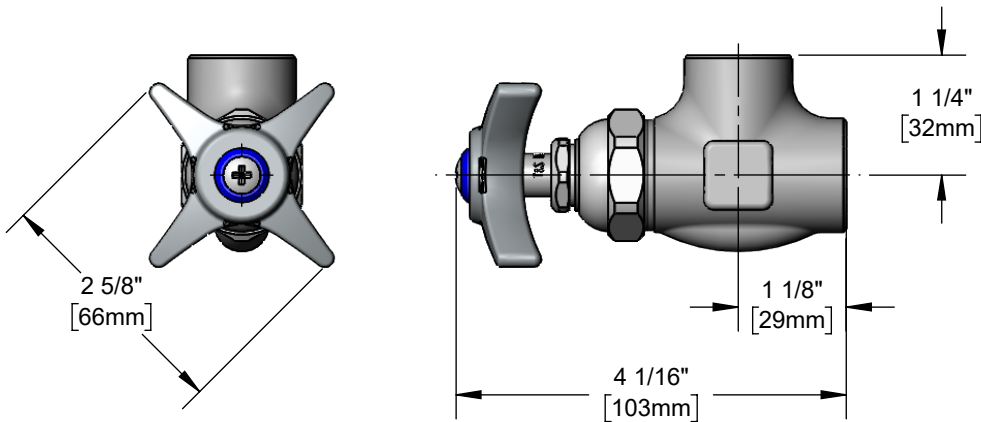
TAG:

*Angle Stop*

**Architect/Engineering Specifications:**

Chrome plated brass angle stop, compression cartridge with spring check and four-arm handle, (CW) color coded index, 1/2" NPT female inlet and 3/8" NPT female outlet. Certified to ASME A112.18.1/CSA B125.1, NSF 61-Section 9 and NSF 372. Meets ADA ANSI/ICC A117.1 requirements.

Job Name \_\_\_\_\_  
 Model Specified \_\_\_\_\_ Quantity \_\_\_\_\_  
 Variations Specified \_\_\_\_\_  
 Date \_\_\_\_\_



**Features & Benefits:**

- Chrome plated brass angle stop
- Quarter-turn Eterna compression cartridge with spring check to prevent the cross flow of water
- 1/2" NPT female inlet
- 3/8" NPT female outlet
- Four-arm handle with color coded index
- Material: Chrome plated brass angle stop and chrome plated metal handle

**Product Compliance:**

- ASME A112.18.1 / CSA B125.1
- NSF 61 - Section 9
- NSF 372 (Low Lead Content)
- ANSI A117.1 (ADA)

**Warranty:** One Year (Limited)

**Performance Data:**

- Pressure: 20 - 125 psi [1.38 - 8.62 bar]
- Temperature: 40°F - 140°F [4.44°C - 60°C]
- Flow Rate: 15.20 GPM [57.54 L/min] @ 60 psi [4.14 bar]



ADA Compliant



T&S BRASS AND BRONZE WORKS, INC.



• 2 Saddleback Cove • Travelers Rest, SC 29690  
 Ph 800-476-4103 • Fax 864-834-3518  
 • Simi Valley, CA • Ph 800-423-0150 • www.tsbrass.com

Date: 06/09/23