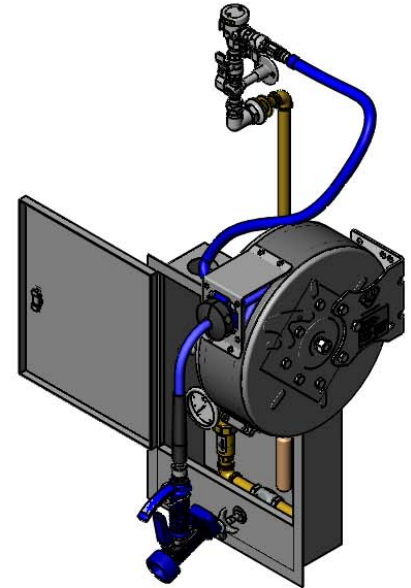
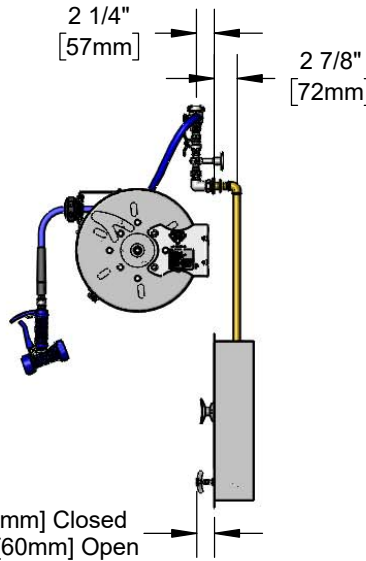
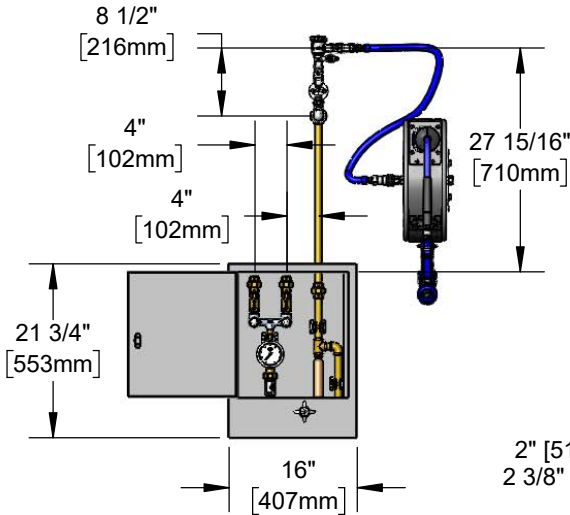




Architect/Engineering Specifications:

Hose reel control unit, stainless steel water control cabinet containing 1/2" union inlets and outlet, 1/2" check valves, loose key mixing valve with compression spindles, bi-metallic thermometer, dual check valve backflow preventer, shut-off valve and water hammer arrestor, 21" riser, wall bracket, continuous pressure vacuum breaker, 24" flexible water hose connector with stainless steel quick disconnect, enclosed coated hose reel with 3/8" x 30' heavy-duty non-marking hose, ratcheting system, high flow front trigger water gun with swivel, multi-fit bracket and adjustable hose bumper. Certified to ASSE 1056, ASSE 1024 and ASSE 1010.

Job Name _____
 Model Specified _____ Quantity _____
 Variations Specified _____
 Date _____



Features & Benefits:

- Flush mount stainless steel control cabinet with locking latch contains water control system
- 1/2" NPT female union inlets (2) and outlet
- 1/2" in-line check valves
- Loose key mixing valve with compression spindles, tee handles and screws
- Bi-metallic thermometer with $\varnothing 3"$ dial face
- Dual check valve backflow preventer
- Shut-off valve with 4-arm handle operable from outside of closed cabinet
- 3" wall bracket
- Continuous pressure vacuum breaker
- Enclosed coated hose reel with 3/8" NPT female inlet
- High flow stainless steel water gun w/ blue rubber cover, front style trigger, swivel & $\varnothing 5/16"$ orifice
- 3/8" x 30' heavy-duty non-marking hose rated to 300 PSI
- Ratcheting system holds the length of hose until a slight tug to retract automatically
- Adjustable hose bumper
- Multi-fit bracket for wall, ceiling or under counter mounting
- Material: Stainless steel cabinet, chrome plated metal handle, brass control unit components and metal enclosed reel & wall bracket.

Product Compliance:

- NSF 61 Exempt (Non-Potable)
- 2019 DOE PRSV Non-Compliant
- ASSE 1056 (VB)
- ASSE 1024 (VB)
- ASSE 1010 (Arrestor)



Warranty: One Year (Limited)

- Hose Reel: Two Year (Limited)

Performance Data:

- Pressure: 20 - 125 psi
- Temperature: 40 °F - 140 °F
- Flow Rate: TBD GPM @ 60 psi

Optional Hose Reel Spray Valves

- B-0107 Spray Valve
- B-0108 Ergonomic Medium Flow Spray Valve
- B-0108-H Ergonomic High Flow Spray Valve
- EB-0107 High Flow Spray Valve (Standard)
- EB-2322 Extended Spray Wand
- MV-2516-24 Stainless Steel Rear Trigger Water Gun
- MV-2522-24 Stainless Steel Front Trigger Water Gun
- MV-3516-24 Aluminum Rear Trigger Water Gun

