



ADA Compliant



This Space for Architect/Engineer Approval

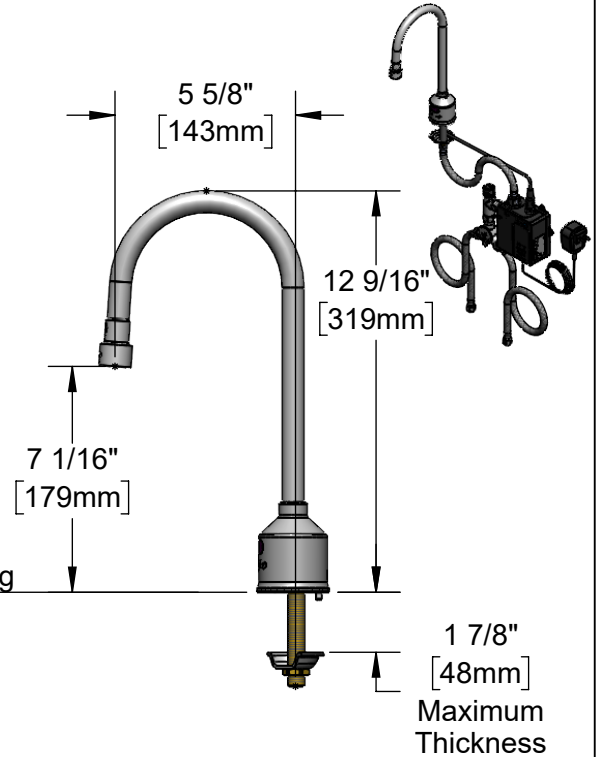
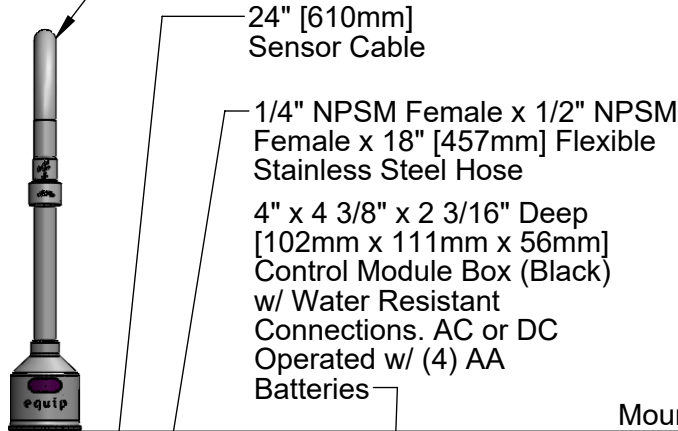
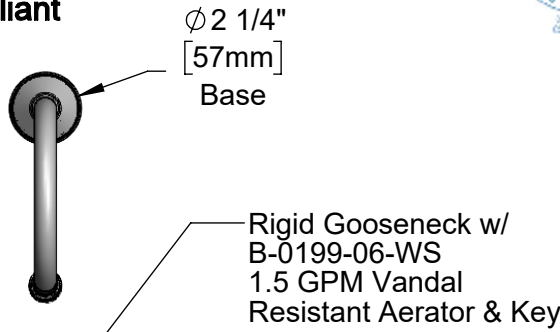
Job Name _____ Date _____

Model Specified _____ Quantity _____

Customer/Wholesaler _____

Contractor _____

Architect/Engineer _____



Removable Strainer

Mechanical Mixing Valve w/ Check Valves

100-240 VAC Adapter 72" [1830mm] Power Cord (Remove Rubber Plug in Module to Connect)

(2) 3/8" Compression x 1/2" NPSM 18" [457mm] Flexible Stainless Steel Supply Hose

Rough-In Requirement:
 ϕ 1" [25mm] Mounting Hole

Model Number

5EF-1D-DG-WS

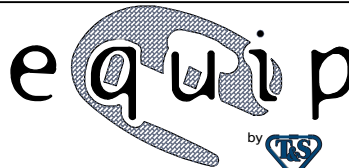
Product Specifications:

Electronic Faucet: Deck Mount, Rigid Gooseneck, VR 1.5 GPM Aerator, AC-DC Control Module, Temperature Control Mixing Valve, Check Valves & (2) 18" Flexible Supply Hoses

Product Compliance:

ASME A112.18.1 / CSA B125.1
NSF 61 - Section 9
NSF 372 (Low Lead Content)
ANSI A117.1 (ADA)
EPA WaterSense
UL 1951

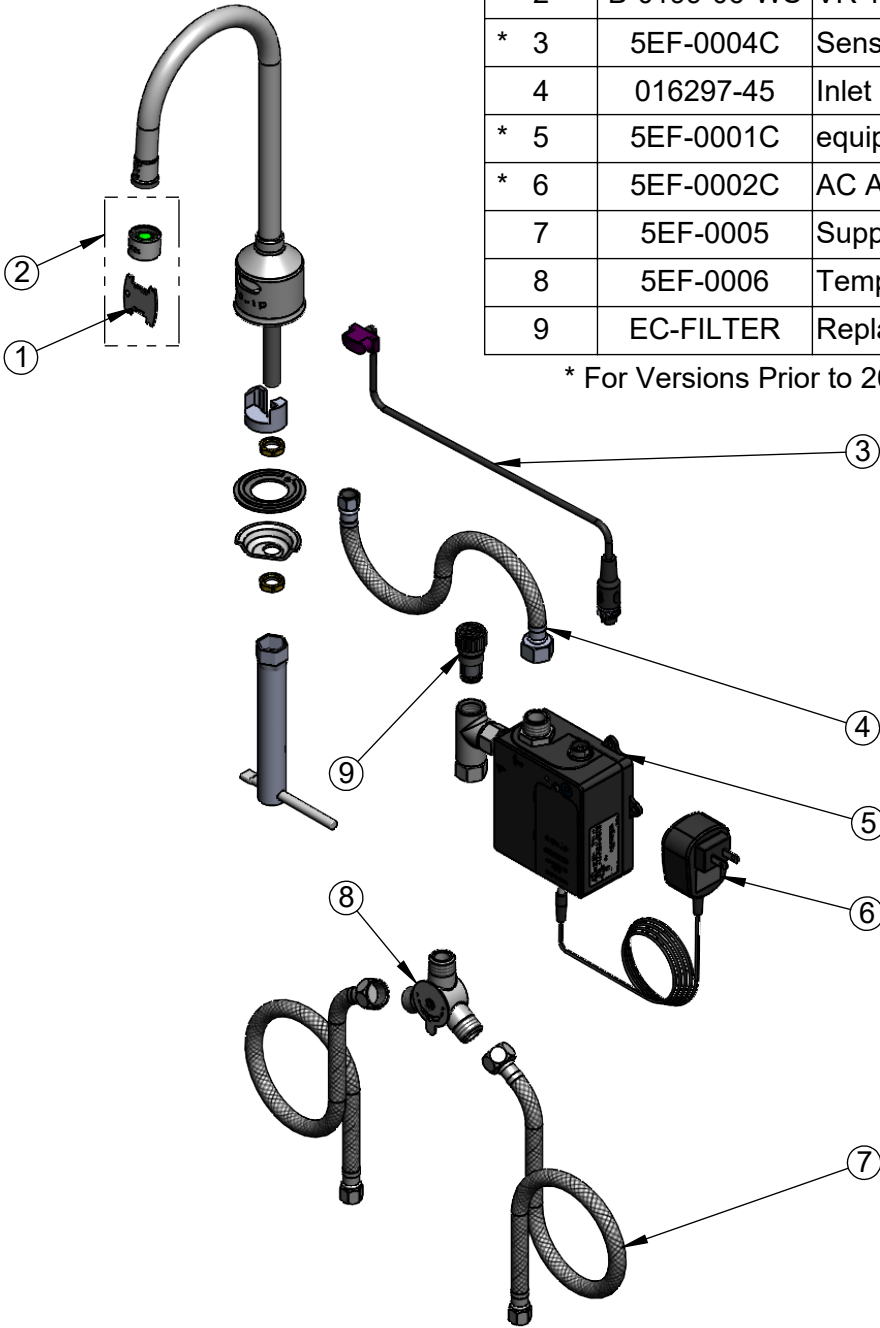
equip
Foodservice
Accessories



2 Saddleback Cove, P.O. Box 1088
Travelers Rest, South Carolina 29690
Phone: 800.891.4808 Fax: 800.868.0084
equip.tsbrass.com

| ITEM NO. | SALES NO. | DESCRIPTION |
|----------|--------------|---|
| 1 | 015425-45 | Vandal Resistant Key |
| 2 | B-0199-06-WS | VR 1.5 GPM Aerator, 55/64-27 UN Female w/ Key |
| * 3 | 5EF-0004C | Sensor Cable w/ Curved Lens |
| 4 | 016297-45 | Inlet Hose, Faucet, 1/2" NPSM-F x 1/4" NPSM-F |
| * 5 | 5EF-0001C | equip Control Module (Black) |
| * 6 | 5EF-0002C | AC Adapter - US Plug |
| 7 | 5EF-0005 | Supply Hose, 9/16-24 Female x 1/2" NPSM |
| 8 | 5EF-0006 | Temperature Mixing Valve |
| 9 | EC-FILTER | Replacement Filter |

* For Versions Prior to 2024, Consult with Customer Service



Model Number

5EF-1D-DG-WS

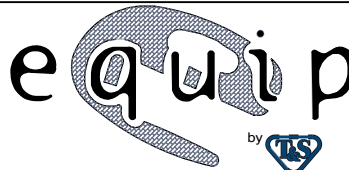
Product Specifications:

Electronic Faucet: Deck Mount, Rigid Gooseneck, VR 1.5 GPM Aerator, AC-DC Control Module, Temperature Control Mixing Valve, Check Valves & (2) 18" Flexible Supply Hoses

Product Compliance:

ASME A112.18.1 / CSA B125.1
NSF 61 - Section 9
NSF 372 (Low Lead Content)
ANSI A117.1 (ADA)
EPA WaterSense
UL 1951

equip
Foodservice
Accessories



2 Saddleback Cove, P.O. Box 1088
Travelers Rest, South Carolina 29690
Phone: 800.891.4808 Fax: 800.868.0084
equip.tsbrass.com