



T&S BRASS AND BRONZE WORKS, INC.
 2 Saddleback Cove / P.O. Box 1088
 Travelers Rest, SC 29690

Model No.
B-2464

Item No.

Travelers Rest, SC: 800-476-4103 • Simi Valley, CA: 800-423-0150 • Fax: 864-834-3518 • www.tsbrass.com

This Space for Architect/Engineer Approval

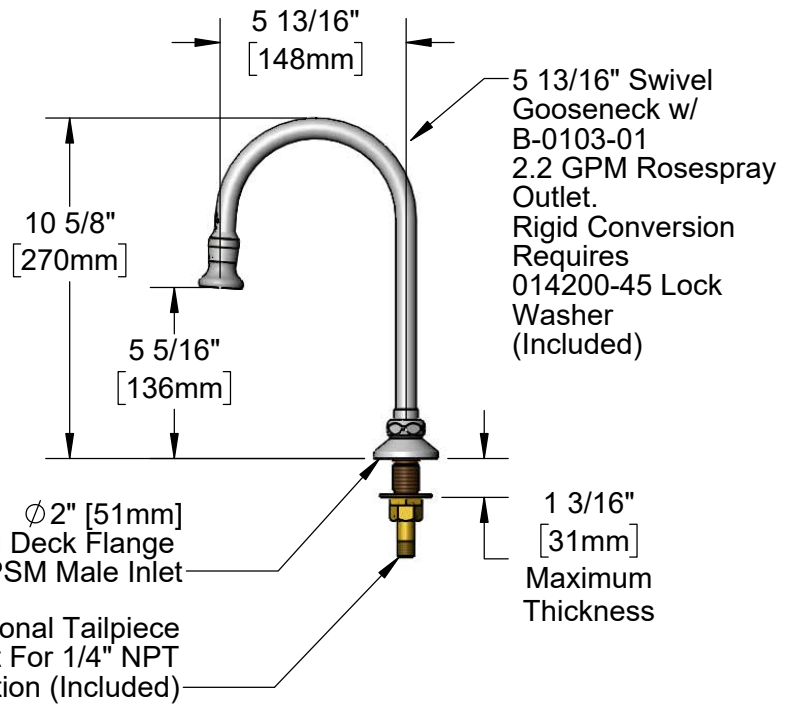
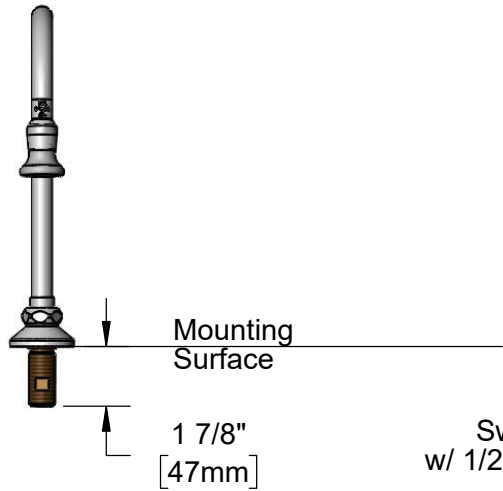
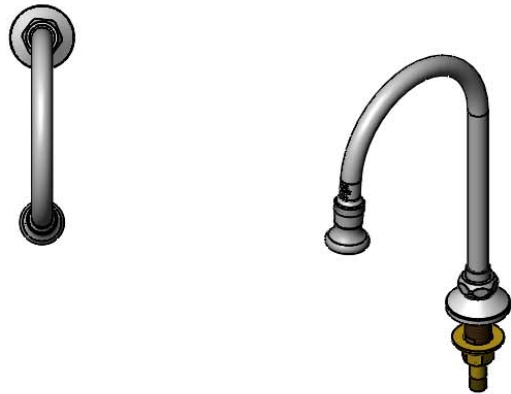
Job Name _____ Date _____

Model Specified _____ Quantity _____

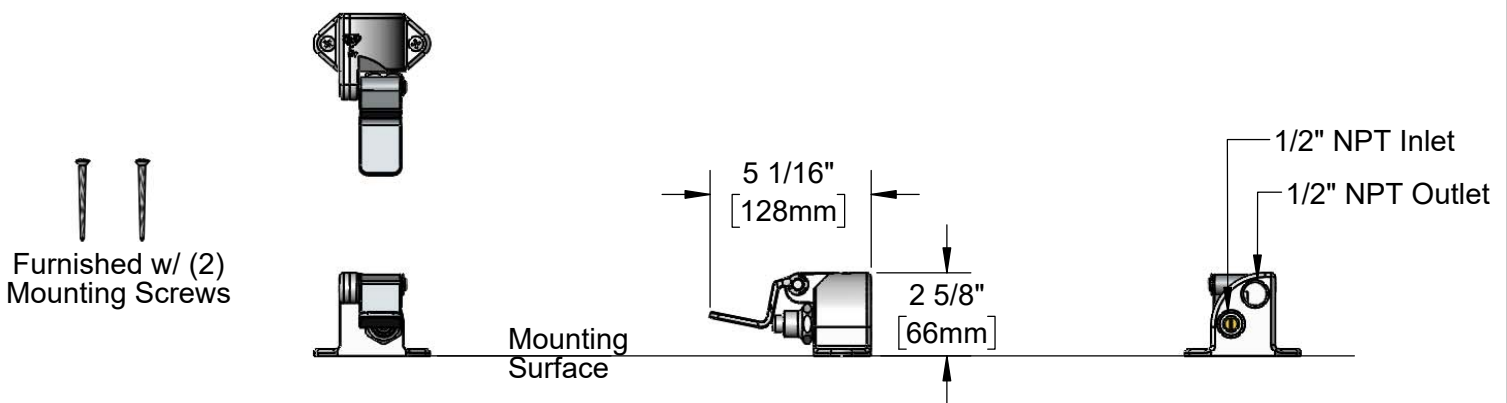
Customer/Wholesaler _____

Contractor _____

Architect/Engineer _____



Rough-In Requirement:
 Ø1" [25mm] Mounting Hole



Product Specifications:
 5 9/16" Dummy Gooseneck w/ Deck Mount Flange, Rosespray Outlet & Single Foot Pedal Valve w/ Fast Self-Closing Cartridge

Product Compliance:
 ASME A112.18.1 / CSA B125.1
 NSF 61 - Section 9
 NSF 372 (Low Lead Content)

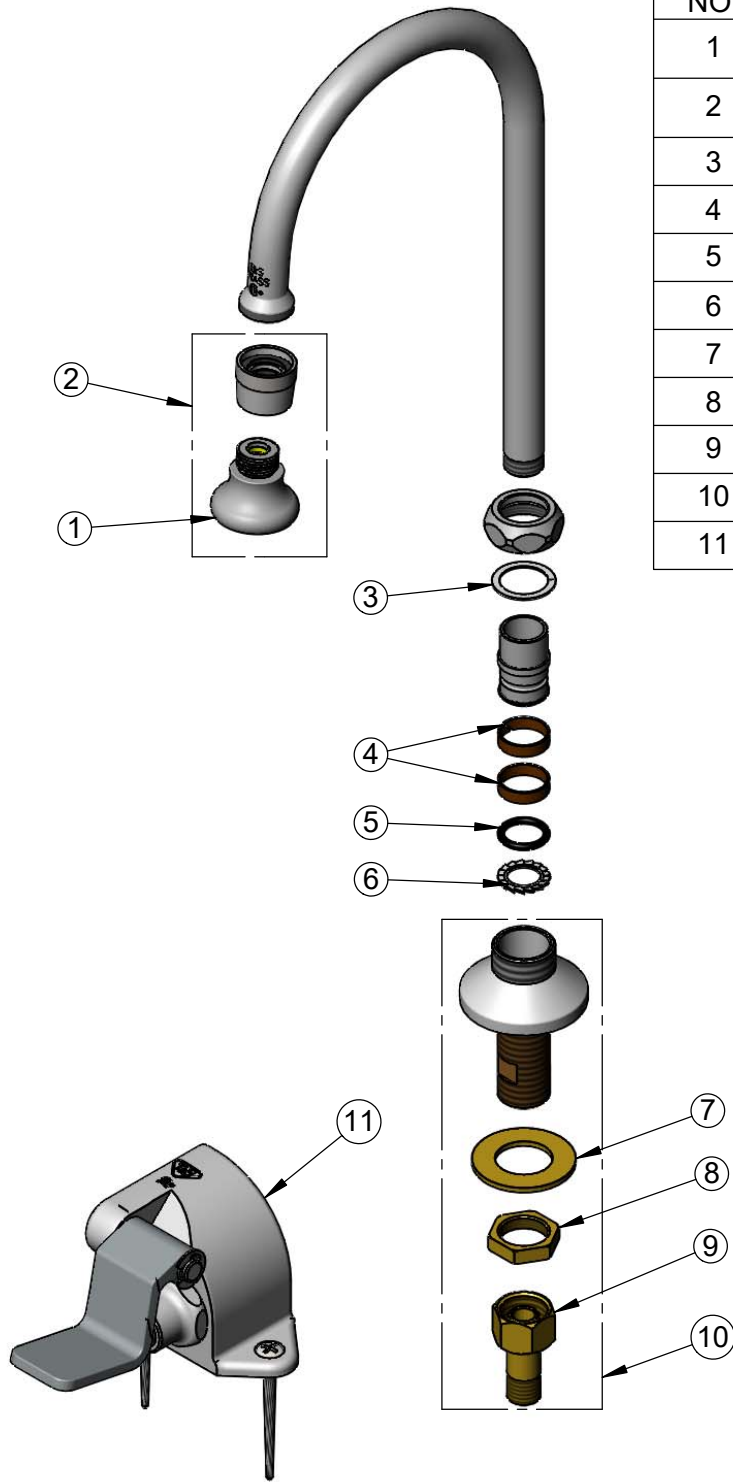


T&S BRASS AND BRONZE WORKS, INC.
 2 Saddleback Cove / P.O. Box 1088
 Travelers Rest, SC 29690

Model No.
B-2464
 Item No.

Travelers Rest, SC: 800-476-4103 • Simi Valley, CA: 800-423-0150 • Fax: 864-834-3518 • www.tsbrass.com

| ITEM NO. | SALES NO. | DESCRIPTION |
|----------|-----------|--|
| 1 | B-0103 | 2.2 GPM Rosespray Outlet, 55/64-27 UN Female |
| 2 | B-0103-01 | 2.2 GPM Rosespray Outlet, 3/8-18 NPT Male |
| 3 | 009538-45 | Swivel Washer |
| 4 | 011429-45 | Swivel Sleeves (2) |
| 5 | 001074-45 | O-Ring |
| 6 | 014200-45 | Star Washer, Anti-Rotation |
| 7 | 000999-45 | Brass Lock Washer |
| 8 | 002954-45 | Shank Lock Nut |
| 9 | 150A | 1/4" NPT Tailpiece & Nut |
| 10 | B-0431 | Swivel Base Deck Mount Flange |
| 11 | B-0507 | Single Pedal Valve |



Product Specifications:
 5 9/16" Dummy Gooseneck w/ Deck Mount Flange, Rosespray Outlet & Single Foot Pedal Valve w/ Fast Self-Closing Cartridge

Product Compliance:
 ASME A112.18.1 / CSA B125.1
 NSF 61 - Section 9
 NSF 372 (Low Lead Content)