



**Architect/Engineering Specifications:**

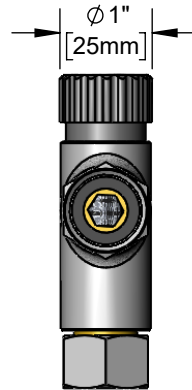
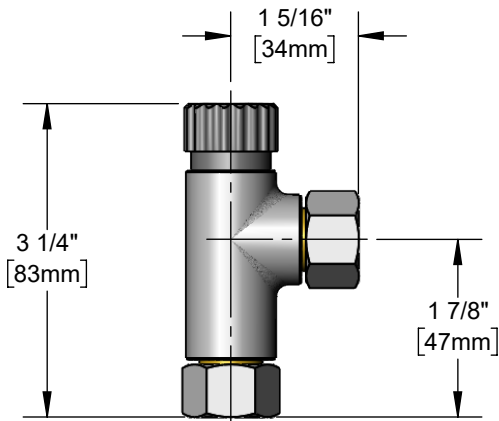
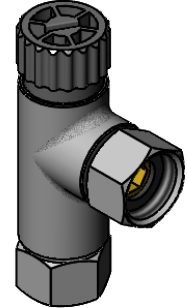
Sensor module filter housing with filter and 1/2" NPSM swivel connection gaskets. Certified to ASME A112.18.1/CSA B125.1, NSF 61-Section 9 and NSF 372.

Job Name \_\_\_\_\_

Model Specified \_\_\_\_\_ Quantity \_\_\_\_\_

Variations Specified \_\_\_\_\_

Date \_\_\_\_\_



**Features & Benefits:**

- Chrome plated brass sensor module filter housing
- Filter included
- 1/2" NPSM swivel connections w/ gaskets
- Material: Chrome plated brass

**Product Compliance:**

- ASME A112.18.1 / CSA B125.1
- NSF 61 - Section 9
- NSF 372 (Low Lead Content)



**Warranty:** One Year (Limited)

**Performance Data:**

- N/A

