



# T&S BRASS AND BRONZE WORKS, INC.

2 Saddleback Cove / P.O. Box 1088  
Travelers Rest, SC 29690

Model No.

**013434-40**

Item No.

Travelers Rest, SC: 800-476-4103 • Simi Valley, CA: 800-423-0150 • Fax: 864-834-3518 • www.tsbrass.com

This Space for Architect/Engineer Approval

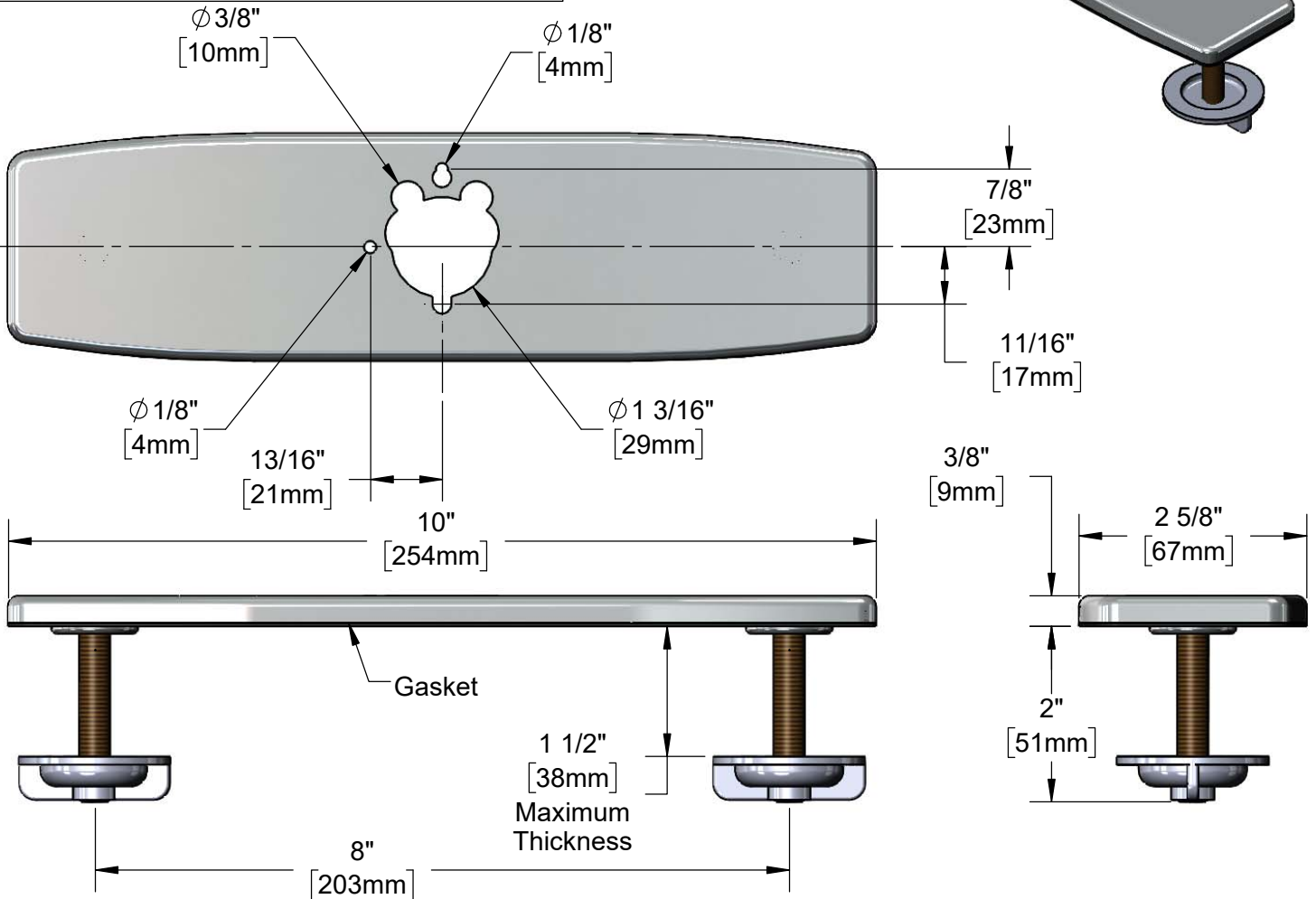
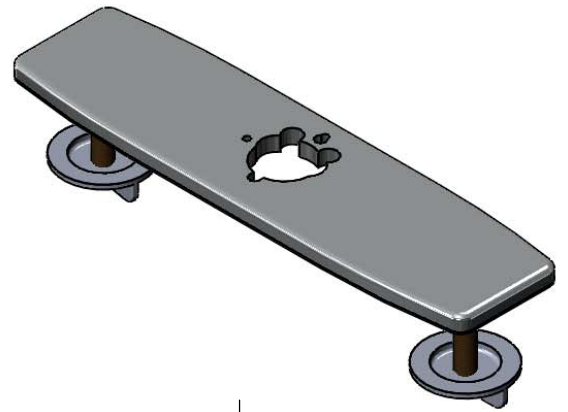
Job Name \_\_\_\_\_ Date \_\_\_\_\_

Model Specified \_\_\_\_\_ Quantity \_\_\_\_\_

Customer/Wholesaler \_\_\_\_\_

Contractor \_\_\_\_\_

Architect/Engineer \_\_\_\_\_



### Notes:

- "Old-Style" B-0712/B-2460 Series Faucets (Produced Before April 2020)  
Require the 019369-25 Base Ring and Deck Plate Spacer (Sold Separately).
- "New-Style" B-0712/B-2460 Series Faucets (Produced Since April 2020)  
Require the 020231-20 Deck Plate Spacer (Sold Separately).

### Rough-In Requirement:

- $\phi 1"$  [25mm] Center Hole
- (2)  $\phi 1 1/8"$  [28mm] Mounting Holes

### Product Specifications:

8" Forged Deck Plate w/ Mounting Hardware  
(Chrome Plated Brass)

### Product Compliance: