



Architect/Engineering Specifications:

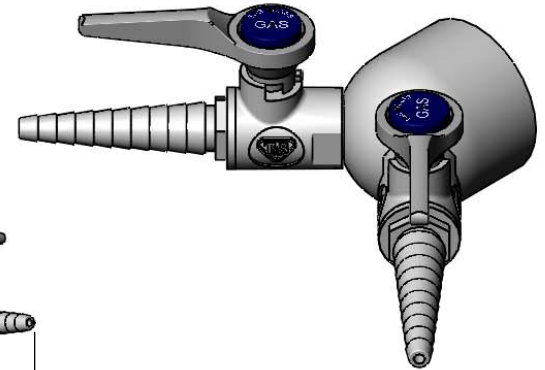
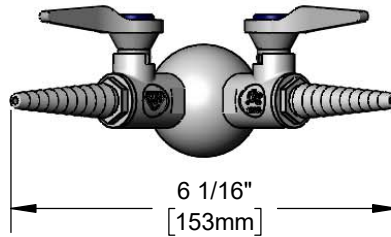
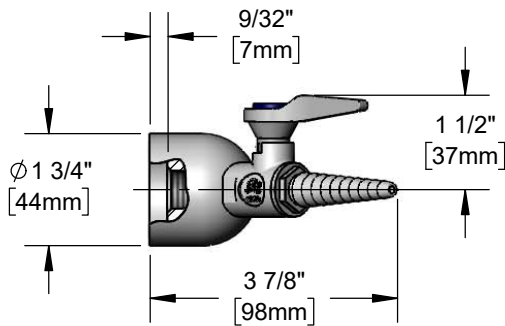
Laboratory panel flange with polished chrome plated body, two ball valve hose cocks for gas, air or vacuum with serrated tip outlet (accepts 1/4" to 3/8" I.D. hose), lever handle and 3/8" NPT female inlet. Certified to Z21.15a / CSA 9.1a. Meets ADA ANSI/ICC A117.1 requirements.

Job Name _____

Model Specified _____ Quantity _____

Variations Specified _____

Date _____



Features & Benefits:

- Laboratory panel flange w/ polished chrome plated body
- (2) Ball valve hose cock w/ serrated tip (accepts 1/4" to 3/8" I.D. hose)
- Lever handle
- For natural gas above 0.5 psig or Oxygen and specialty gases, use BL-4010-01 gas cock
- (2) Natural gas (dark blue) press-in indexes included
- (2) Air (orange) press-in indexes included
- (2) Vacuum (yellow) press-in indexes included
- Ø 2" flange panel flange w/ 3/8" NPT female inlet
- Material: Polished chrome plated brass panel flange & ball valve hose cock

Product Compliance:

- ANSI Z21.15a / CSA 9.1a
- ANSI A117.1 (ADA)



Warranty: One Year (Limited)



ADA Compliant

Performance Data:

- Pressure:
 - Gas - 0.5 psig max
 - Air - 125 psig max
 - Vacuum - 30 inches of Mercury max
- Temperature: 32 °F - 125 °F

