



T&S BRASS AND BRONZE WORKS, INC.

2 Saddleback Cove / P.O. Box 1088
Travelers Rest, SC 29690

Model No.

S-0200-LN

Item No.

Travelers Rest, SC: 800-476-4103 • Simi Valley, CA: 800-423-0150 • Fax: 864-834-3518 • www.tsbrass.com



ADA Compliant

EVERSTEEL™

This Space for Architect/Engineer Approval

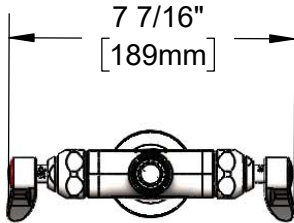
Job Name _____ Date _____

Model Specified _____ Quantity _____

Customer/Wholesaler _____

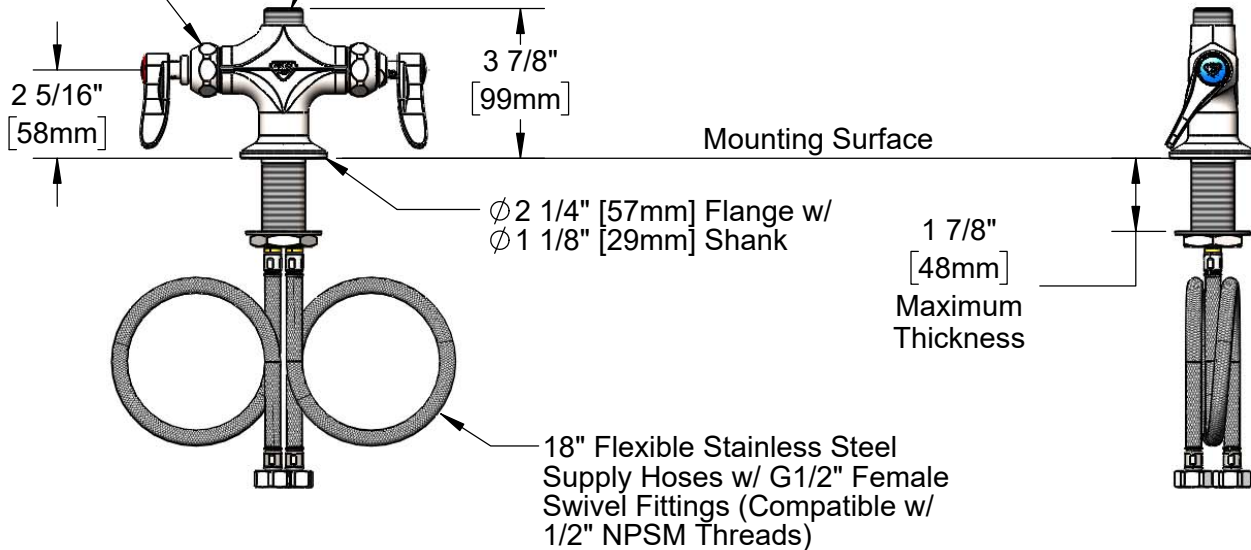
Contractor _____

Architect/Engineer _____



Stainless Steel
Quarter-Turn
Eterna Cartridges
w/ Spring Checks
& Stainless Steel
Lever Handles
w/ Color Coded
Indexes

Swivel Outlet Accepts
Standard Stainless Steel T&S Swing Nozzles
Conversion to Rigid Requires
014200-45 Lock Washer (Included)



Rough-In Requirement:
Ø 1 1/2" [38mm] Mounting Hole

Product Specifications:

Stainless Steel Single Hole Deck Mount Mixing Faucet, Less Nozzle, SS Quarter-Turn Eterna Cartridges w/ Spring Checks, SS Lever Handles & 18" Flexible Stainless Steel Supply Hoses

Product Compliance:

ASME A112.18.1 / CSA B125.1
NSF 61 - Section 9
NSF 372 (Low Lead Content)
ANSI A117.1 (ADA)



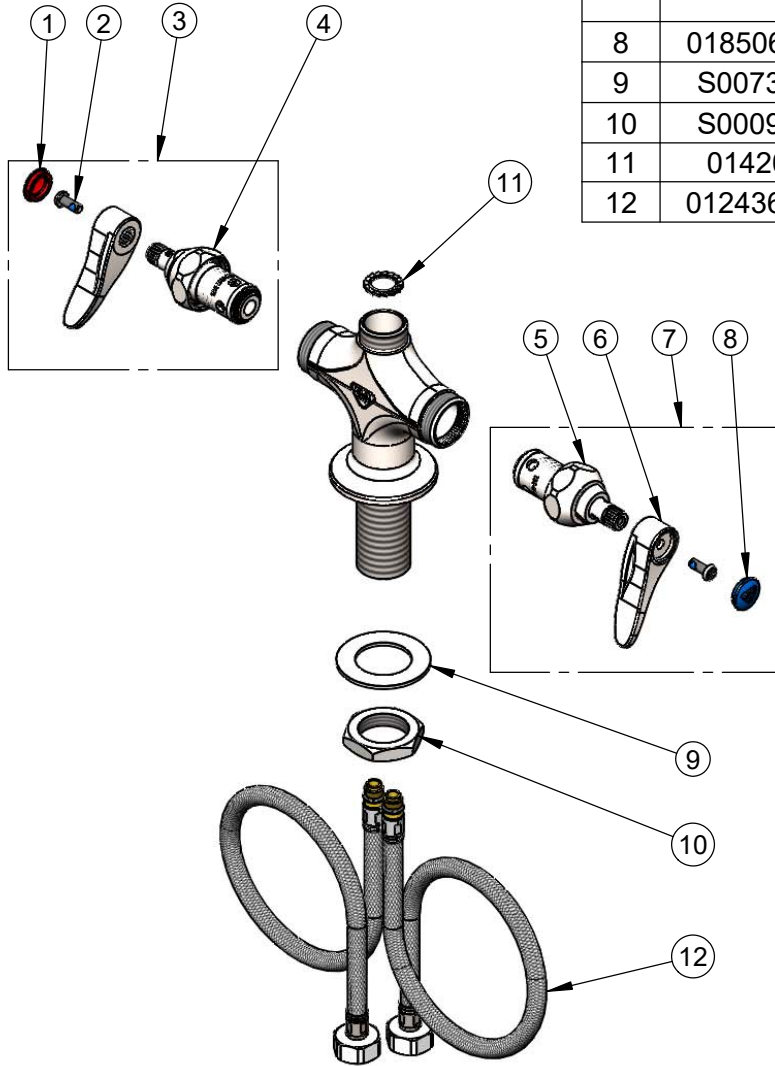
T&S BRASS AND BRONZE WORKS, INC.
 2 Saddleback Cove / P.O. Box 1088
 Travelers Rest, SC 29690

Model No.
S-0200-LN

Item No.

Travelers Rest, SC: 800-476-4103 • Simi Valley, CA: 800-423-0150 • Fax: 864-834-3518 • www.tsbrass.com

ITEM NO.	SALES NO.	DESCRIPTION
1	001193-19NS	Red Button Index, Press-in
2	000925-45	Lab Handle Screw
3	S002712-30NS	Stainless Steel Quarter-Turn Eterna Cartridge w/ Spring Check, Handle, Red Index & Screw, RTC
4	S012443-30NS	Stainless Steel Quarter-Turn Eterna Cartridge w/ Spring Check, RTC
5	S012442-30NS	Stainless Steel Quarter-Turn Eterna Cartridge w/ Spring Check, LTC
6	S001638-30NS	Lever Handle (New Style)
7	S002711-30NS	Stainless Steel Quarter-Turn Eterna Cartridge w/ Spring Check, Handle, Red Index & Screw, LTC
8	018506-19NS	Blue Button Index, Press-in
9	S007365-20	Stainless Steel Lock Washer
10	S000965-45	Stainless Steel Lock Nut
11	014200-45	Star Washer, Anti-Rotation
12	012436-45DR	Flexible Connector Hose



Product Specifications:
 Stainless Steel Single Hole Deck Mount Mixing Faucet, Less Nozzle, SS Quarter-Turn Eterna Cartridges w/ Spring Checks, SS Lever Handles & 18" Flexible Stainless Steel Supply Hoses

Product Compliance:
 ASME A112.18.1 / CSA B125.1
 NSF 61 - Section 9
 NSF 372 (Low Lead Content)
 ANSI A117.1 (ADA)