



T&S BRASS AND BRONZE WORKS, INC.

2 Saddleback Cove / P.O. Box 1088
Travelers Rest, SC 29690

Model No.

B-7122-C05

Item No.

Travelers Rest, SC: 800-476-4103 • Simi Valley, CA: 800-423-0150 • Fax: 864-834-3518 • www.tsbrass.com

This Space for Architect/Engineer Approval

Job Name _____ Date _____

Model Specified _____ Quantity _____

Customer/Wholesaler _____

Contractor _____

Architect/Engineer _____

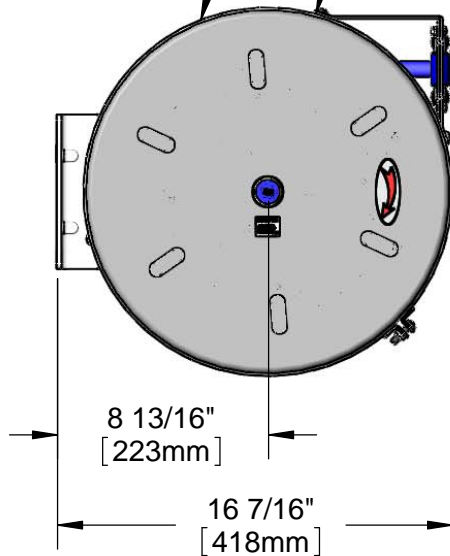


3/8" NPT Female Inlet
(Left Side of Reel)

Enclosed Stainless Steel Hose Reel
w/ 30' of 3/8" Hose

Ø 15 3/8"
[390mm]

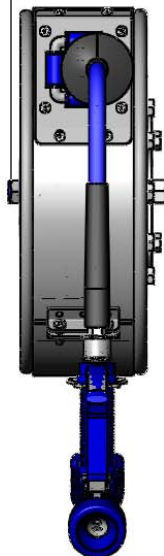
6 7/16"
[164mm]



8 13/16"
[223mm]

16 7/16"
[418mm]

019652-40
3/8" NPT
Live Swivel



5 1/2"
[139mm]

Ø 1/2"
[13mm]

6 7/16"
[164mm]

5 1/4"
[133mm]

1/2"
[13mm]

3/4"
[19mm]

2 3/8"
[60mm]

MV-2522-24
Stainless Steel Front Trigger
Water Gun, 5/16" Orifice

Product Specifications:

3/8" x 30' Enclosed Stainless Steel Reel & Stainless Steel Front Trigger
Water Gun w/ Swivel, 5/16" Orifice

Product Compliance:

NSF 61 Exempt (Non-Potable)
EPA Act 2005 Non-Compliant (PRSV)



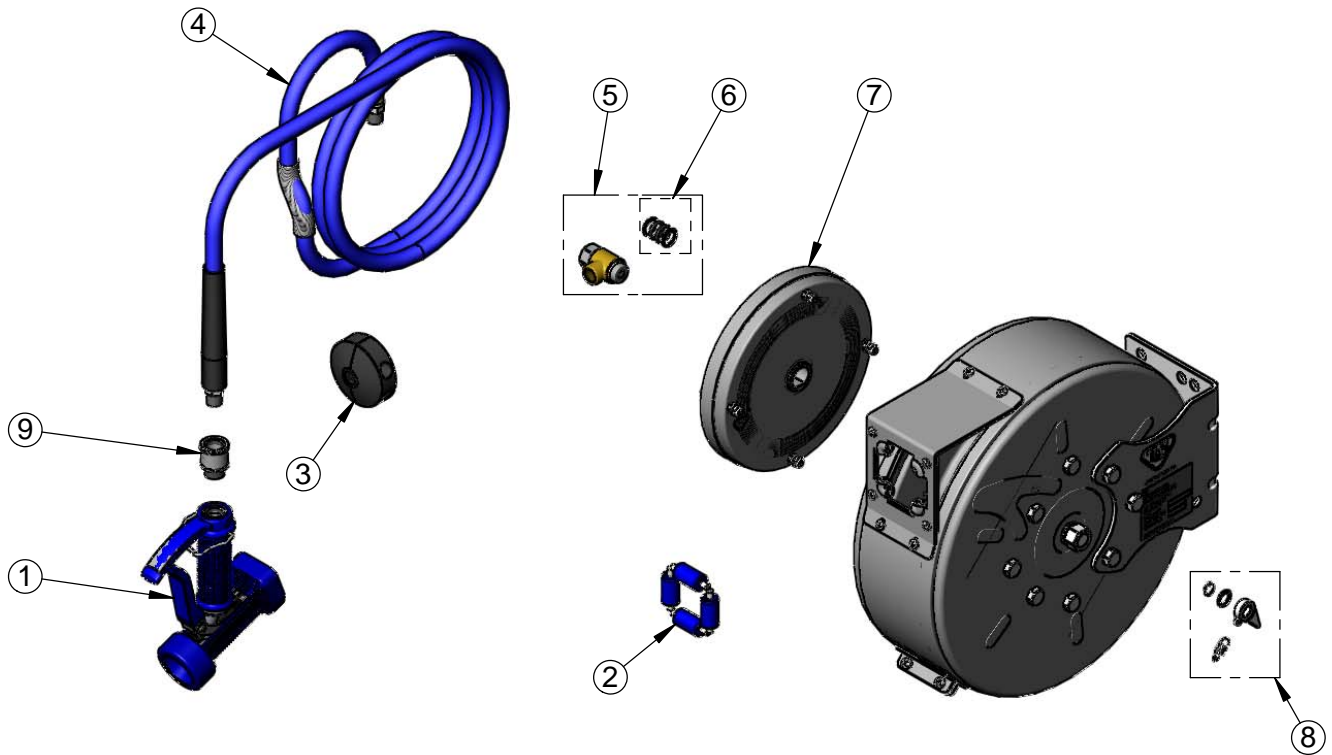
T&S BRASS AND BRONZE WORKS, INC.
 2 Saddleback Cove / P.O. Box 1088
 Travelers Rest, SC 29690

Model No.
B-7122-C05

Item No.

Travelers Rest, SC: 800-476-4103 • Simi Valley, CA: 800-423-0150 • Fax: 864-834-3518 • www.tsbrass.com

ITEM NO.	SALES NO.	DESCRIPTION
1	MV-2522-24	Front Trigger Gun, 5/16" Orifice
2	014936-45	Roller Repair Kit
3	014949-45	Hose Stop Repair Kit
4	014943-45	3/8" x 30' Hose
5	014946-45	3/8" Swivel Repair Kit
6	014948-45	O-Ring Replacement Kit
7	014933-45	Small Stainless Steel Spring
8	014940-45	Ratchet Repair Kit
9	019652-40	3/8" NPT Live Swivel
140	006562-45	O-Ring



Product Specifications:
 3/8" x 30' Enclosed Stainless Steel Reel & Stainless Steel Front Trigger
 Water Gun w/ Swivel, 5/16" Orifice

Product Compliance:
 NSF 61 Exempt (Non-Potable)
 EPA Act 2005 Non-Compliant (PRSV)