



Eyewash Stations

EW-7656WC

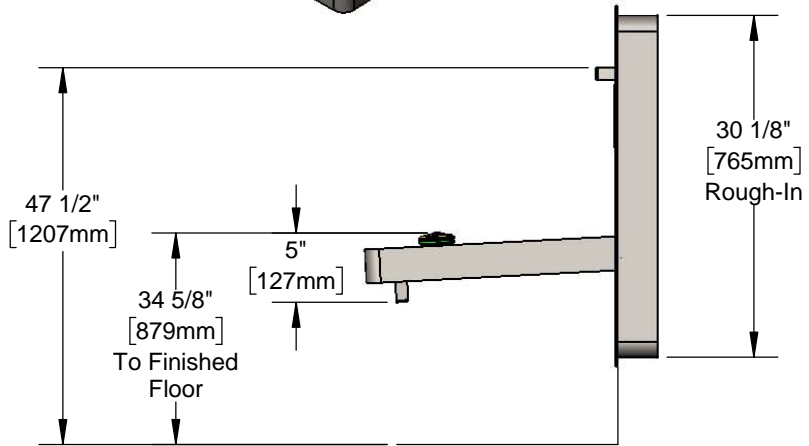
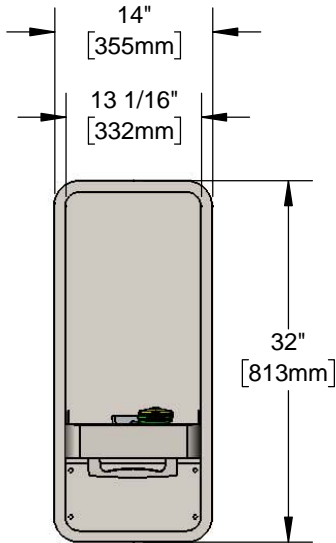
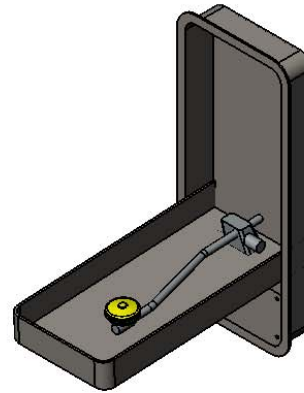
TAG:

Recess Wall Mount Eye/Face Wash

Architect/Engineering Specifications:

Stainless steel recessed wall mounted eye/face wash with polished chrome plated brass pull-down valve with strainer, 4.2 GPM flow control, 1/2" NPT Inlet and 2" NPT waste outlet. Certified to ANSI Z358.1.

Job Name _____
 Model Specified _____ Quantity _____
 Variations Specified _____
 Date _____



Features & Benefits:

- Stainless steel recessed wall mounted eye/face wash with
- polished chrome plated brass pull-down valve with strainer
- 4.2 GPM flow control
- 1/2" NPT Inlet
- 2" NPT waste outlet
- Material: Stainless steel housing and chrome plated brass pull-down level

Product Compliance:

- ANSI Z358.1 (Latest Revision)
- NSF 61 Exempt (Non-Potable)



Warranty: One Year (Limited)

Performance Data:

- Pressure: 30 - 90 psi
- Temperature: 60 °F - 100 °F
- Flow Rate: 4.2 GPM @ 60 psi



T&S BRASS AND BRONZE WORKS, INC.



• 2 Saddleback Cove • Travelers Rest, SC 29690
 Ph 800-476-4103 • Fax 864-834-3518
 • Simi Valley, CA • Ph 800-423-0150 • www.tsbrass.com

Date: 03/14/17