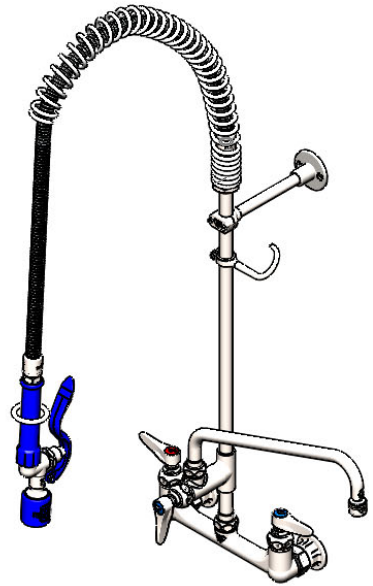
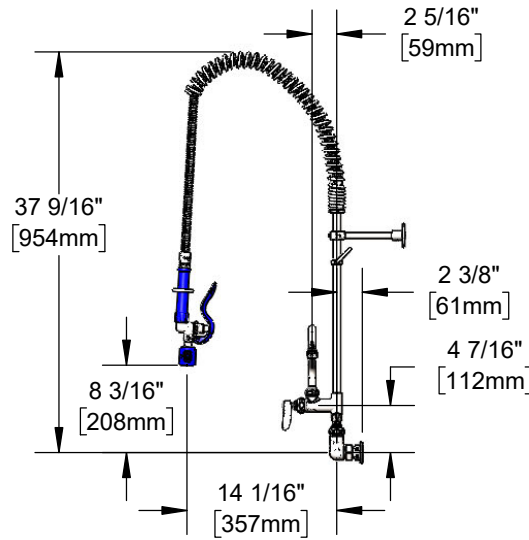
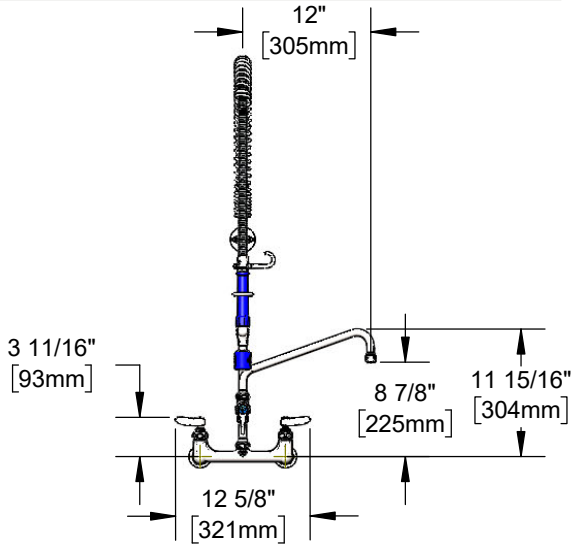




Architect/Engineering Specifications:

8" wall mount mixing faucet with stainless steel body, stainless steel add-on faucet, stainless steel 12" swing nozzle with stream regulator outlet, stainless steel 18" riser, 44" flexible stainless steel hose with heat resistant handle, stainless steel 1.07 GPM blue spray valve, stainless steel compression cartridges with spring checks, stainless steel lever handles, stainless steel 1/2" NPT female inlets, stainless steel 6" adjustable wall bracket, stainless steel spray valve holder and stainless steel overhead spring. Certified to ASME A112.18.1/CSA B125.1, NSF 61-Section 9 & NSF 372. 2019 DOE PRSV - Class II compliant.

Job Name _____
Model Specified _____ Quantity _____
Variations Specified _____
Date _____



Features & Benefits:

- All stainless steel construction with brushed finish
8" wall mount mixing faucet w/ stainless steel body
Stainless steel EasyInstall add-on faucet
Stainless steel 12" swing nozzle w/ stream regulator outlet, Series 1
Stainless steel 18" rigid riser
44" flexible stainless steel hose with heat resistant blue handle and hold down ring
Stainless steel 1.07 GPM spray valve
Stainless steel quarter-turn Eterna compression cartridges with spring checks to prevent cross flow of water
Stainless steel lever handles w/ color coded indexes
Stainless steel 1/2" NPT female eccentric inlets with Ø 2" flanges
Adjustable centers from 7 3/4" to 8 1/4"
Stainless steel 6" adjustable wall bracket
Material: Stainless steel body, tubular nozzle, add-on faucet body, riser, spray valve body, hose, cartridges and handles

Product Compliance:

- ASME A112.18.1 / CSA B125.1
NSF 61 - Section 9
NSF 372 (Low Lead Content)
2019 DOE PRSV - Class II



Warranty: Lifetime (Limited)

Performance Data:

- Pressure: 20 - 125 psi [1.38-8.62 bar]
Temperature: 40 °F - 140 °F [4.44 °C - 60 °C]
Flow Rate:
Spray Valve: 1.07 GPM [4.05 L/min] @ 60 psi [4.14 bar]
Add-On Faucet: 9.73 GPM [36.83 L/min] @ 60 psi [4.14 bar]

Stainless Steel T&S Swing Nozzles

- S059X 6" Swing Nozzle
S060X 8" Swing Nozzle
S062X 12" Swing Nozzle (Standard)

Stainless Steel Optional Pre-Rinse Spray Valve

- S-0107 (1.15 GPM)
S-0107-J (1.07 GPM) (Standard)

