



Remote Control Straight Valve Unit

Architect/Engineering Specifications:

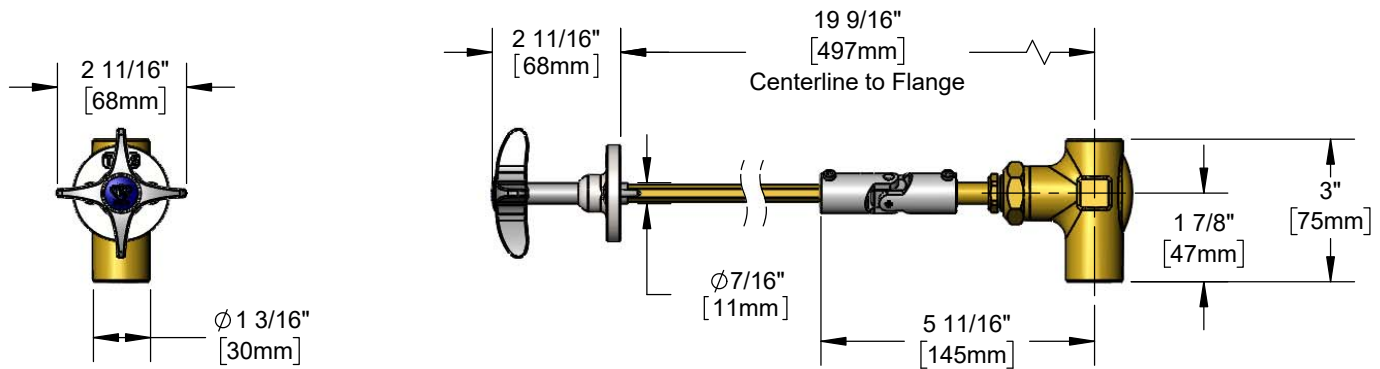
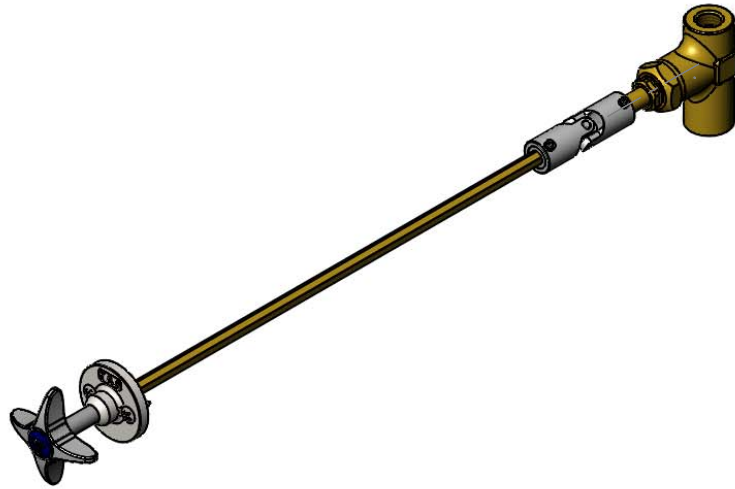
Remote control straight valve with brass body, 19 1/16" centerline to flange, 4-arm handle, press-in color coded indexes, guide flange, universal joint and 3/8" NPT male inlet and outlet. Certified to ANSI Z21.15a / CSA 9.1a.

Job Name _____

Model Specified _____ Quantity _____

Variations Specified _____

Date _____



Features & Benefits:

- Remote control straight valve with brass body
- 19 9/16" centerline to flange
- Stainless steel floating cone and removable seat
- 4-arm handle w/ press-in color coded indexes (gas, air and vacuum included)
- ϕ 2" guide flange w/ mounting hardware
- Universal joint
- 3/8" NPT male inlet and outlet
- Material: Brass body and polished chrome plated metal handle

Product Compliance:

- ANSI Z21.15a / CSA 9.1a (Gas Valves)

Warranty: One Year (Limited)

Performance Data:

- Pressure:
 - Gas - 0.5 psi [0.03 bar] max
 - Air - 125 psi [8.62 bar] max
 - Vacuum - 30 inches of Mercury [760 Torr] max
- Temperature: 32 °F - 125 °F [0 °C - 52 °C]

