



Electronic Faucets
EC-TMV

TAG:

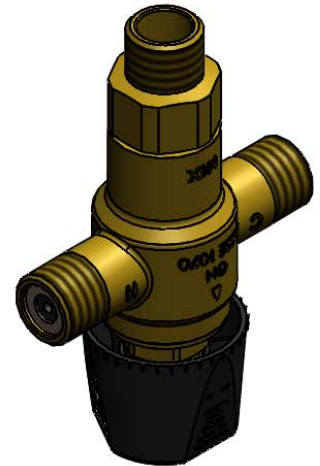
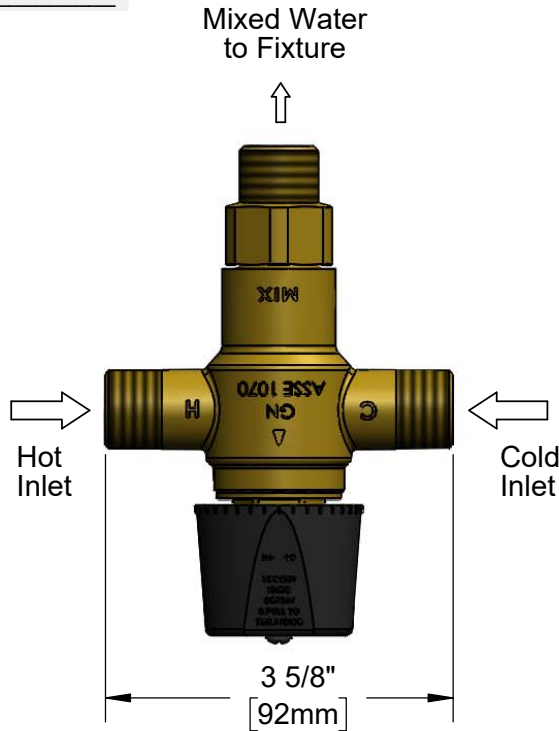
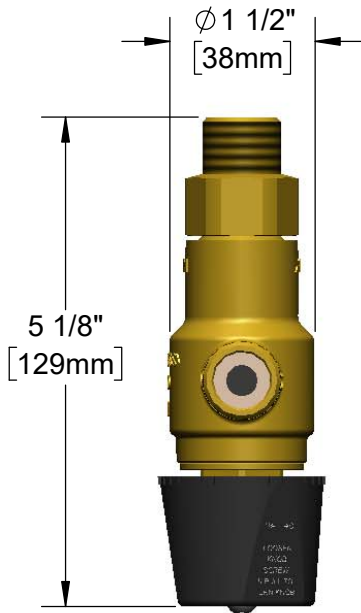


ChekPoint™ Electronic Sensor Faucet Accessory

Architect/Engineering Specifications:

Thermostatic mixing valve with brass body, vandal resistant locking temperature adjustment knob, integral check valves with filter screens and 1/2" NPSM male connections. NSF 61-Section 9 and NSF 372. Certified to ASSE 1070

Job Name _____
 Model Specified _____ Quantity _____
 Variations Specified _____
 Date _____



Features & Benefits:

- Thermostatic mixing valve with brass body
- Vandal resistant locking temperature adjustment knob
- Factory pre-set temperature approximately 100° F.
- Integral check valves with filter screens in hot and cold inlets
- 1/2" NPSM male connections
- Material: Brass body

Product Compliance:

- NSF 61 - Section 9
- NSF 372 (Low Lead Content)
- ASSE 1070 (TMV)



Warranty: Three Year (Limited)

Performance Data:

- Pressure: 20 - 125 psi
- Hot Water Inlet Temperature: 120°F - 180°F
- Outlet Temperature Range: 80°F - 120°F
- Minimum Flow Rate: 0.35 GPM



T&S BRASS AND BRONZE WORKS, INC.



• 2 Saddleback Cove • Travelers Rest, SC 29690
 Ph 800-476-4103 • Fax 864-834-3518
 • Simi Valley, CA • Ph 800-423-0150 • www.tsbrass.com

Date: 12/20/19