

This Space for Architect/Engineer Approval

Job Name _____ Date _____

Model Specified _____ Quantity _____

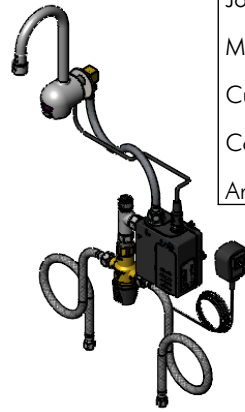
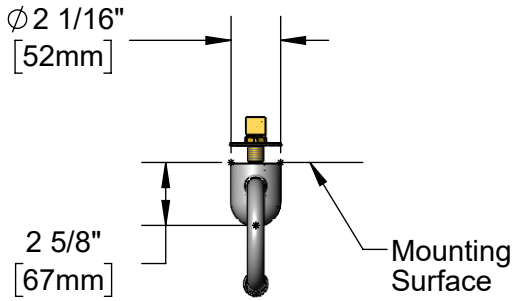
Customer/Wholesaler _____

Contractor _____

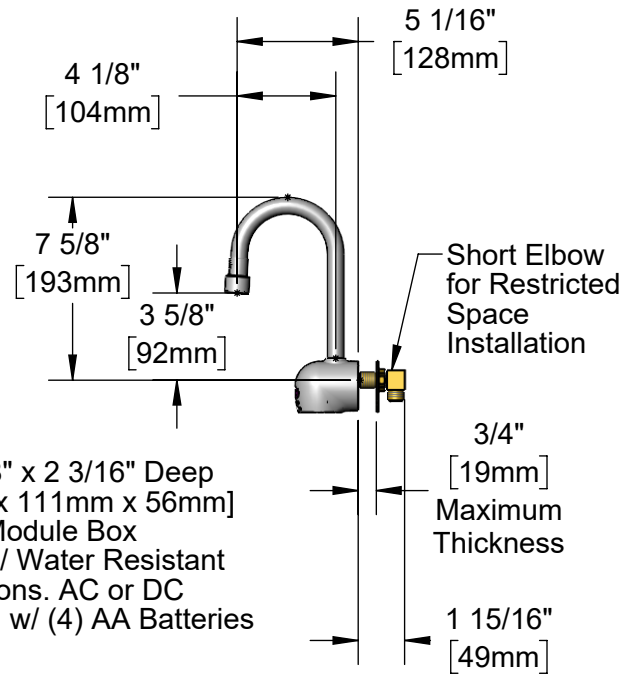
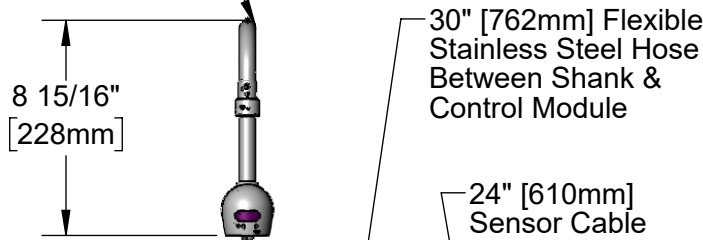
Architect/Engineer _____



ADA Compliant



016739-40
Rigid Gooseneck w/
2.2 GPM [8.3 LPM]
Vandal Resistant Aerator.
Rigid Conversion Requires
017421-45 Lock Washer
(Included)



Removable
Strainer

5EF-TMV
ASSE 1070
Thermostatic
Mixing Valve
w/ Check Valves

30" [762mm] Flexible
Stainless Steel Hose
Between Shank &
Control Module

24" [610mm]
Sensor Cable

4" x 4 3/8" x 2 3/16" Deep
[102mm x 111mm x 56mm]
Control Module Box
(Black) w/ Water Resistant
Connections. AC or DC
Operated w/ (4) AA Batteries

100-240 VAC Adapter
w/ 72" [1830mm] Power Cord

(2) 18" [457mm]
Flexible Stainless
Steel Supply Hoses.
1/2" NPSM Female
x 3/8" Compression
Female

Rough-In Requirement:
Ø 1 1/8" [29mm] Mounting Hole

Model Number

5EF-1D-WGAT-TMV

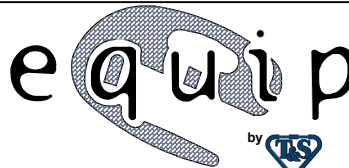
Product Specifications:

Electronic Faucet: Wall Mount Rigid Gooseneck, 2.2 GPM VR
Aerator, AC-DC Control Module, Thermostatic Mixing Valve w/
Check Valves & (2) 18" Flexible Supply Hoses

Product Compliance:

ASME A112.18.1 / CSA B125.1
NSF 61 - Section 9
NSF 372 (Low Lead Content)
ANSI A117.1 (ADA)
UL 1951
ASSE 1070 (TMV)

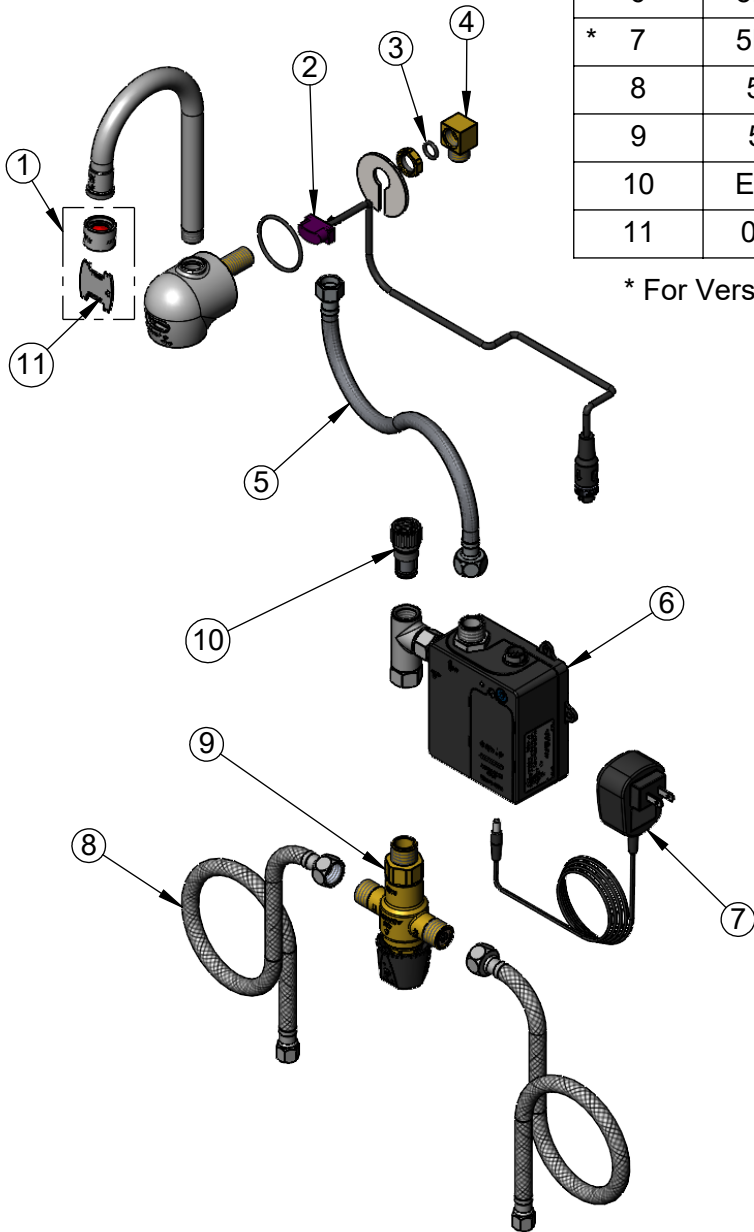
equip
Foodservice
Accessories



2 Saddleback Cove, P.O. Box 1088
Travelers Rest, South Carolina 29690
Phone: 800.891.4808 Fax: 800.868.0084
equip.tsbrass.com

ITEM NO.	SALES NO.	DESCRIPTION
1	B-0199-06	VR 2.2 GPM Aerator, 55/64-27 Female
* 2	5EF00004C	Sensor Cable w/ Curved Lens
3	001075-45	O-Ring, Size 2-111
4	015345-20	Low Profile Elbow, 3/8 NPSM
5	016325-45	Flex Connector, 3/8 NPSM x 1/2 NPSM
* 6	5EF-0001C	equip Control Module (Black)
* 7	5EF-0002C	AC Adapter - US Plug
8	5EF-0005	Supply Hose, 9/16-24 Female x 1/2" NPSM
9	5EF-TMV	ASSE 1070 Thermostatic Mixing Valve
10	EC-FILTER	Replacement Filter
11	015425-45	Vandal Resistant Key

* For Versions Prior to 2024, Consult with Customer Service



Model Number

5EF-1D-WGAT-TMV

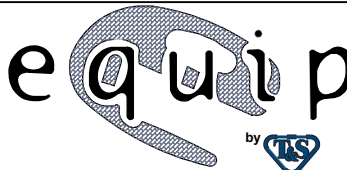
Product Specifications:

Electronic Faucet: Wall Mount Rigid Gooseneck, 2.2 GPM VR Aerator, AC-DC Control Module, Thermostatic Mixing Valve w/ Check Valves & (2) 18" Flexible Supply Hoses

Product Compliance:

ASME A112.18.1 / CSA B125.1
NSF 61 - Section 9
NSF 372 (Low Lead Content)
ANSI A117.1 (ADA)
UL 1951
ASSE 1070 (TMV)

equip
Foodservice
Accessories



2 Saddleback Cove, P.O. Box 1088
Travelers Rest, South Carolina 29690
Phone: 800.891.4808 Fax: 800.868.0084
equip.tsbrass.com