



# Washdown Stations

## MV-0771-11NW

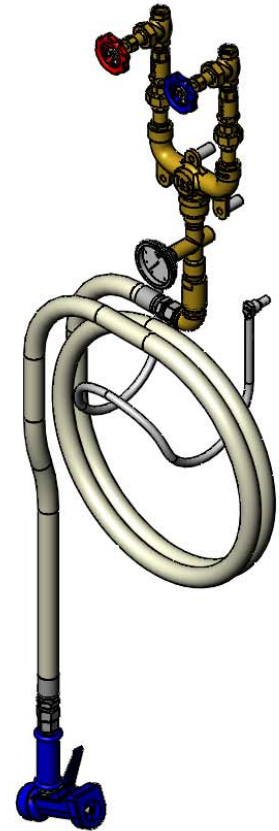
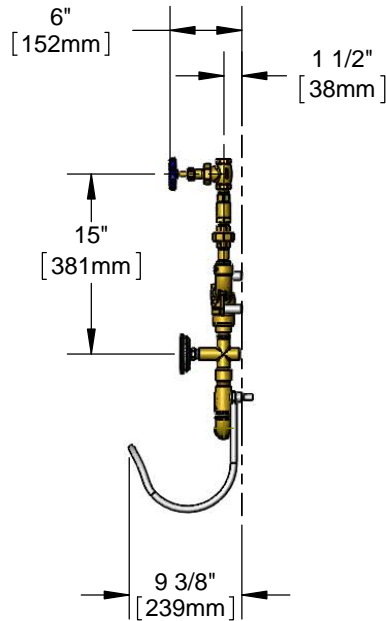
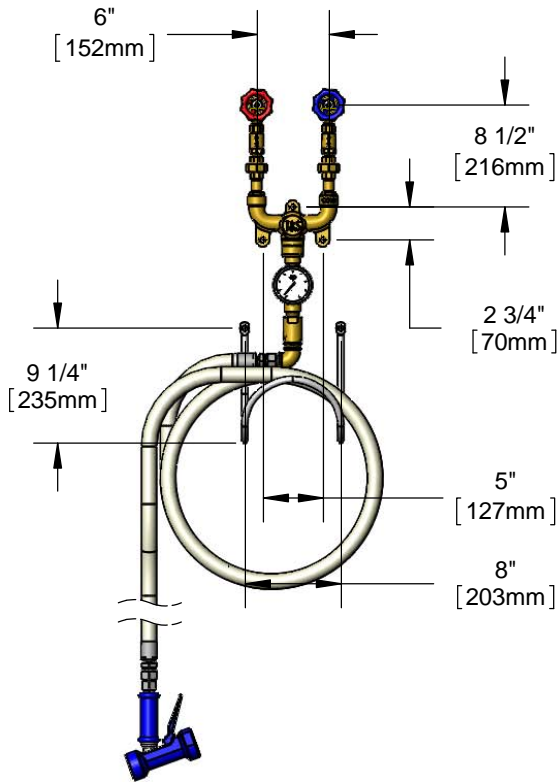
TAG:

Mixing Valve

### Architect/Engineering Specifications:

Washdown station with 1/2" brass mixing valve, ball valves, check valves, thermometer, 50' hose, rear trigger stainless steel water gun & hose rack.

Job Name \_\_\_\_\_  
 Model Specified \_\_\_\_\_ Quantity \_\_\_\_\_  
 Variations Specified \_\_\_\_\_  
 Date \_\_\_\_\_



### Features & Benefits:

- Rear trigger stainless steel water gun w/ rubber cover and 7/16" orifice
- 1/2" Globe valves w/ color coded handles
- 1/2" check valves to prevent cross flow of water
- Brass Thermometer tee
- Stainless steel thermometer, temperature range 0 °F-200 ° F
- 3/4" I.D. x 50' creamery hose w/ inlet swivel
- Stainless steel hose rack w/ mounting hardware
- Material: Brass tee, stainless steel thermometer, water gun and rubber hose

### Product Compliance:

- NSF 61 Exempt (Non-Potable)

**Warranty:** One Year (Limited)

### Performance Data:

- Pressure: 20 - 125 psi
- Temperature: 40 °F - 200 °F
- Flow Rate: 10.10 GPM @ 60 psi



T&S BRASS AND BRONZE WORKS, INC.



• 2 Saddleback Cove • Travelers Rest, SC 29690  
 Ph 800-476-4103 • Fax 864-834-3518  
 • Simi Valley, CA • Ph 800-423-0150 • www.tsbrass.com

Date: 12/14/15