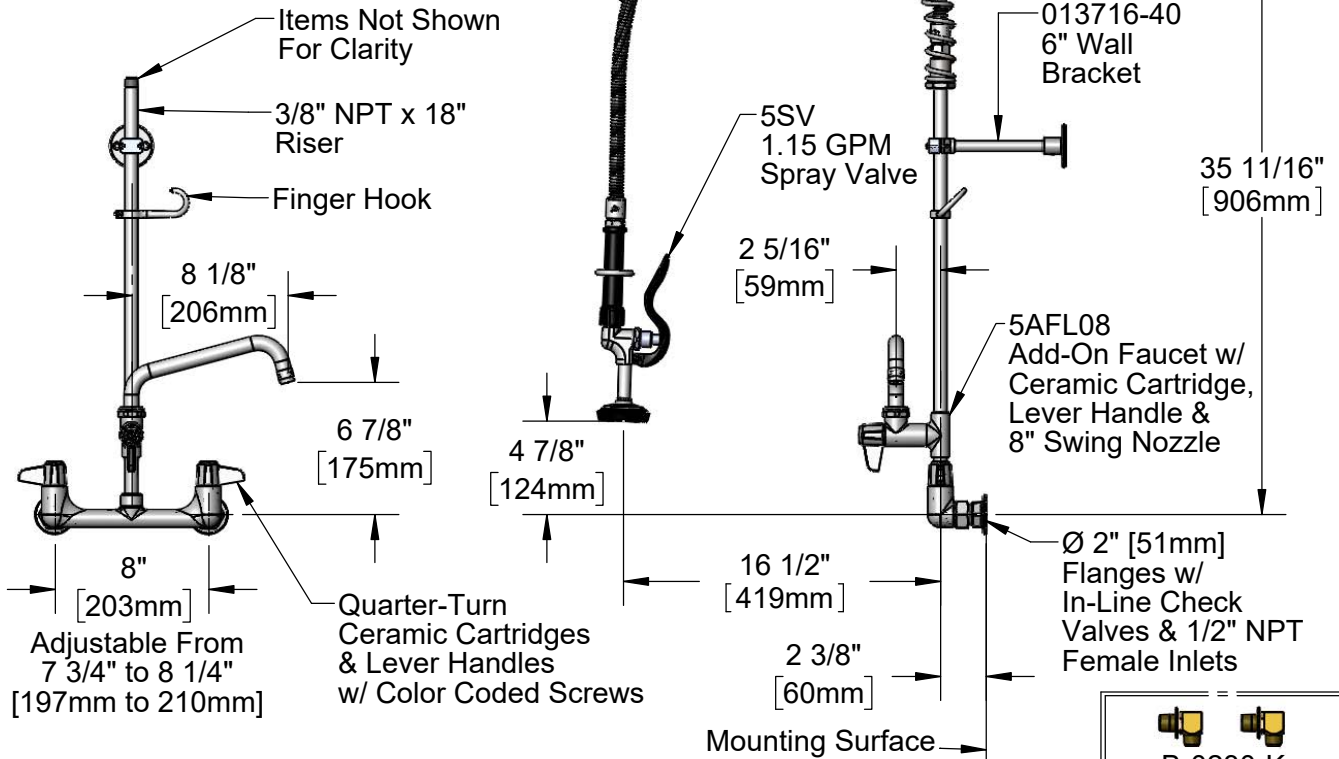


5SP-08
8" Swing Nozzle
w/ Laminar
Flow Device



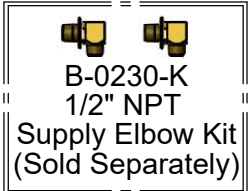
44" Flexible
Stainless Steel
Hose w/ Spring
& Spray Valve



Adjustable From
7 3/4" to 8 1/4"
[197mm to 210mm]

Quarter-Turn
Ceramic Cartridges
& Lever Handles
w/ Color Coded Screws

Mounting Surface



This Space for Architect/Engineer Approval

Job Name _____ Date _____

Model Specified _____ Quantity _____

Customer/Wholesaler _____

Contractor _____

Architect/Engineer _____

Model Number
5PR-8W08

Product Specifications:
Pre-Rinse Unit: 8" Wall Mount Mixing Faucet, Quarter-Turn Ceramic Cartridges, Lever Handles, Add-On Faucet w/ 8" Swing Nozzle, 44" Flexible Stainless Steel Hose, 1.15 GPM Spray Valve, 6" Wall Bracket, In-Line Check Valves & 1/2" NPT Female Inlets

Product Compliance:
ASME A112.18.1 / CSA B125.1
NSF 61 - Section 9
NSF 372 (Low Lead Content)
2019 DOE PRSV - Class II

equip
Foodservice
Accessories

2 Saddleback Cove, P.O. Box 1088
Travelers Rest, South Carolina 29690
Phone: 800.891.4808 Fax: 800.868.0084
equip.tsbrass.com

