



ADA Compliant

This Space for Architect/Engineer Approval

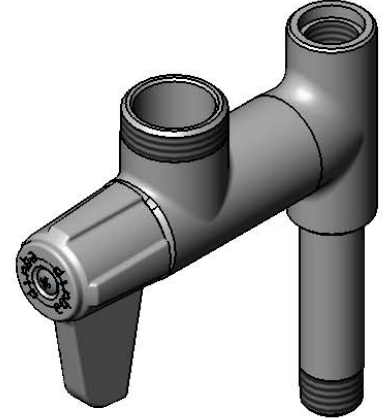
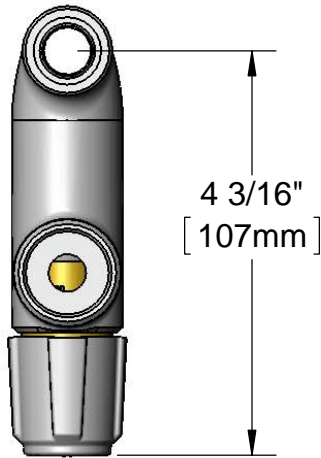
Job Name _____ Date _____

Model Specified _____ Quantity _____

Customer/Wholesaler _____

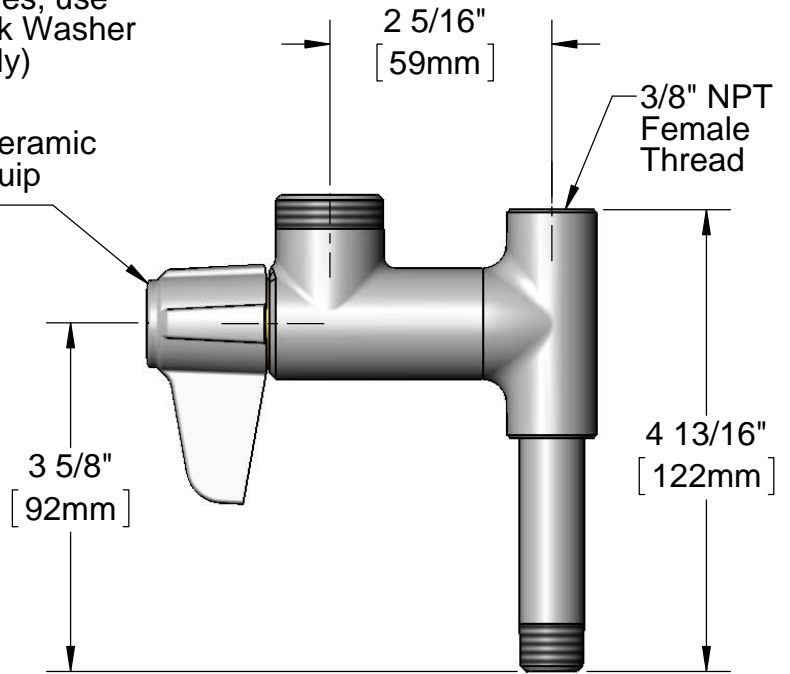
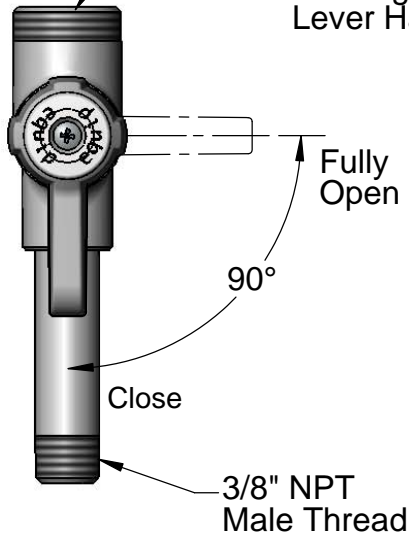
Contractor _____

Architect/Engineer _____



Swivel Outlet Accepts
equip Swing Nozzles,
For Rigid Nozzles, use
014200-45 Lock Washer
(Sold Separately)

Quarter-Turn Ceramic
Cartridge w/ equip
Lever Handle



Model Number

5AFL00

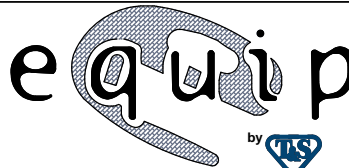
Product Specifications:

equip Add-On Faucet, Quarter-Turn Ceramic Cartridge,
equip Lever Handle & Less Nozzle

Product Compliance:

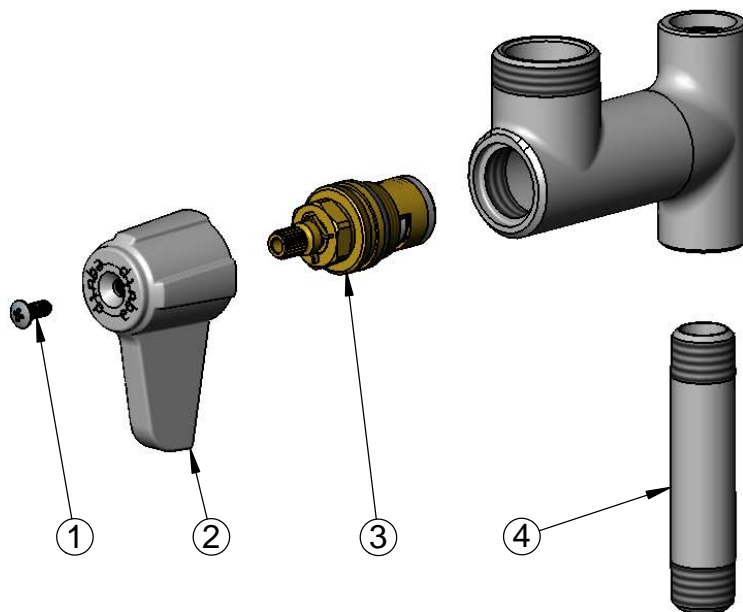
ASME A112.18.1 / CSA B125.1
NSF 61 - Section 9
NSF 372 (Low Lead Content)
ANSI A117.1 (ADA)

equip
Foodservice
Accessories



2 Saddleback Cove, P.O. Box 1088
Travelers Rest, South Carolina 29690
Phone: 800.891.4808 Fax: 800.868.0084
equip.tsbrass.com

ITEM NO.	SALES NO.	DESCRIPTION
1	013849-45	Lever Handle Screw
2	5-HDL-L	equip Lever Handle
3	013787-45	equip Quarter-Turn Ceramic Cartridge, RTC
4	000358-40	3/8" NPT x 3" Nipple



Model Number

5AFL00

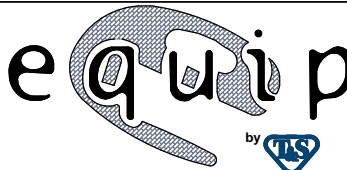
Product Specifications:

equip Add-On Faucet, Quarter-Turn Ceramic Cartridge,
equip Lever Handle & Less Nozzle

Product Compliance:

ASME A112.18.1 / CSA B125.1
NSF 61 - Section 9
NSF 372 (Low Lead Content)
ANSI A117.1 (ADA)

equip
Foodservice
Accessories



2 Saddleback Cove, P.O. Box 1088
Travelers Rest, South Carolina 29690
Phone: 800.891.4808 Fax: 800.868.0084
equip.tsbrass.com