



T&S BRASS AND BRONZE WORKS, INC.
 2 Saddleback Cove / P.O. Box 1088
 Travelers Rest, SC 29690

Model No.
BP-2712

Item No.

Travelers Rest, SC: 800-476-4103 • Simi Valley, CA: 800-423-0150 • Fax: 864-834-3518 • www.tsbrass.com

LAKECREST™
 BY T&S



ADA Compliant

This Space for Architect/Engineer Approval

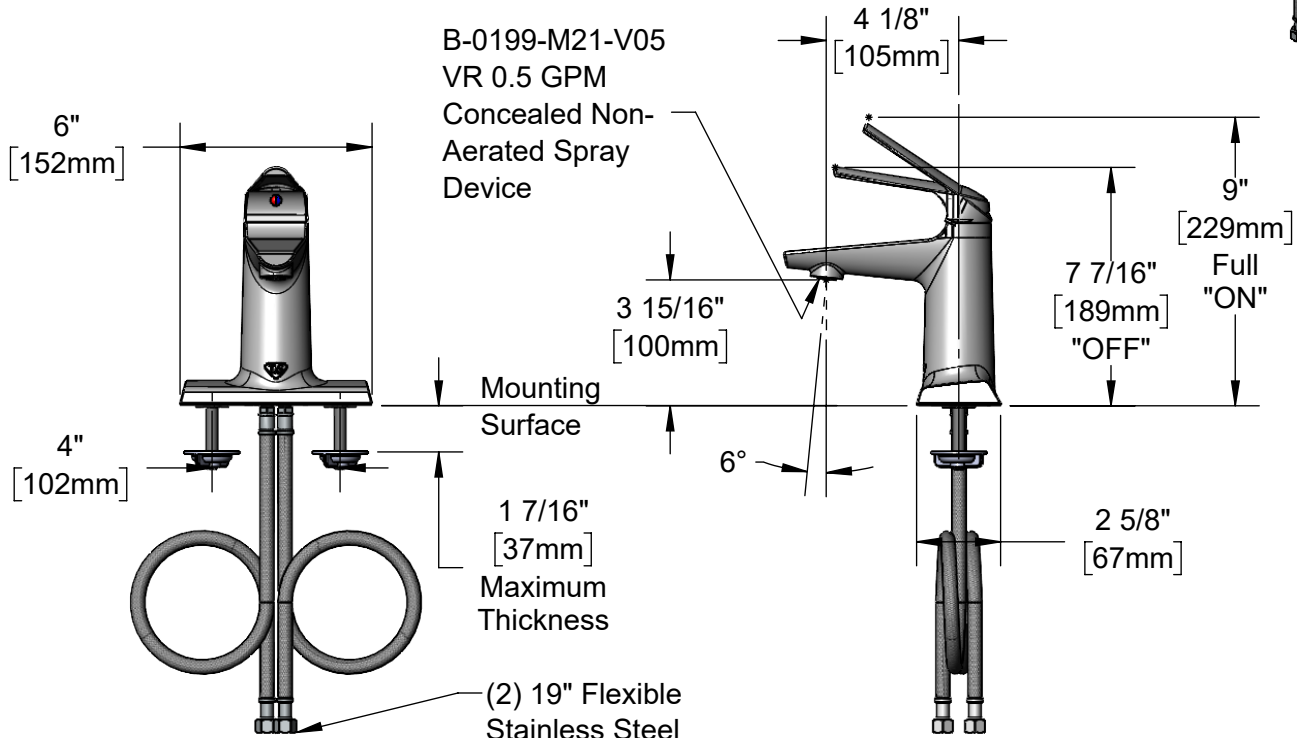
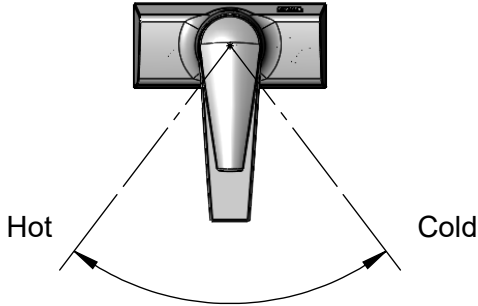
Job Name _____ Date _____

Model Specified _____ Quantity _____

Customer/Wholesaler _____

Contractor _____

Architect/Engineer _____



Rough-in Requirement:
 Ø 1 1/2" [38 mm] Mounting Hole
 (2) Ø 1 1/8" [29 mm] Side Holes

Product Specifications:
 LakeCrest Polished Chrome Plated 4" Centerset Deck Mount Single Lever Faucet, Ceramic Cartridge, 0.5 GPM Concealed Vandal Resistant Non-Aerated Spray Device & 19" Flexible Stainless Steel Braided Supply Hoses

Product Compliance:
 ASME A112.18.1 / CSA B125.1
 NSF 61 - Section 9
 NSF 372 (Low Lead Content)
 ANSI A117.1 (ADA)



T&S BRASS AND BRONZE WORKS, INC.

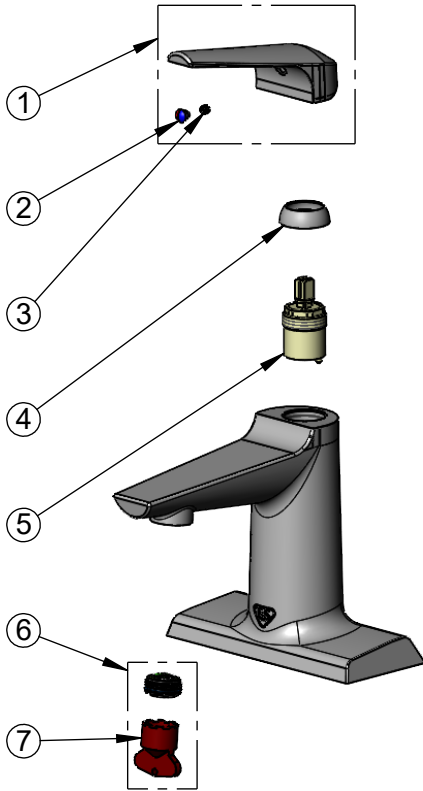
2 Saddleback Cove / P.O. Box 1088
Travelers Rest, SC 29690

Model No.

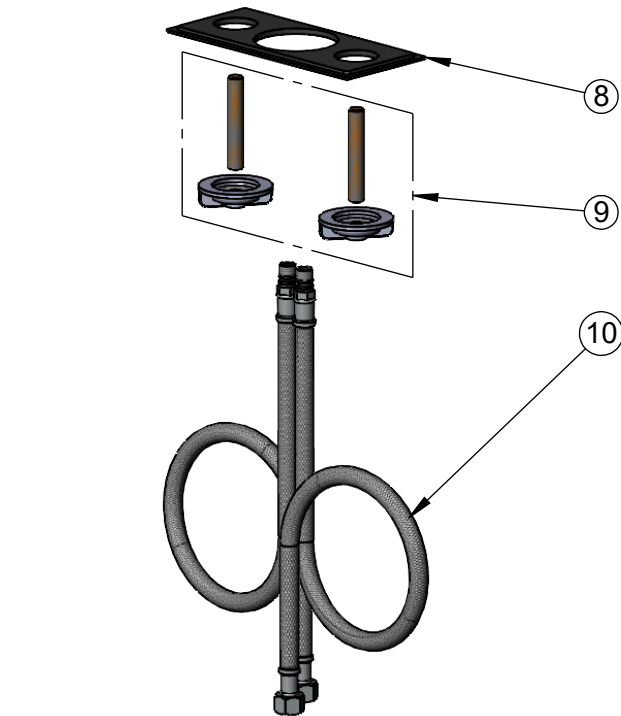
BP-2712

Item No.

Travelers Rest, SC: 800-476-4103 • Simi Valley, CA: 800-423-0150 • Fax: 864-834-3518 • www.tsbrass.com



ITEM NO.	SALES NO.	DESCRIPTION
1	020515-40	Single Lever Handle (Polished Chrome)
2	014173-45	Index, Temperature
3	021098-45	18-8 Stainless Steel Cone-Point Set Screw
4	020516-40	Trim Ring (Polished Chrome)
5	020518-45	Ceramic Cartridge
6	B-0199-M21-V05	0.5 GPM Concealed Spray Device, M21.5 x 1
7	020674-45	M21.5 x 1 Red Cache Key
8	020797-45	6" Deck Gasket
9	014162-45	Kit, Side Mounting Posts w/ Locknuts
10	019969-45	19" Flexible Supply Hose



Product Specifications:

LakeCrest Polished Chrome Plated 4" Centerset Deck Mount Single Lever Faucet, Ceramic Cartridge, 0.5 GPM Concealed Vandal Resistant Non-Aerated Spray Device & 19" Flexible Stainless Steel Braided Supply Hoses

Product Compliance:

ASME A112.18.1 / CSA B125.1
NSF 61 - Section 9
NSF 372 (Low Lead Content)
ANSI A117.1 (ADA)