



Electronic Faucets
EC-SMT

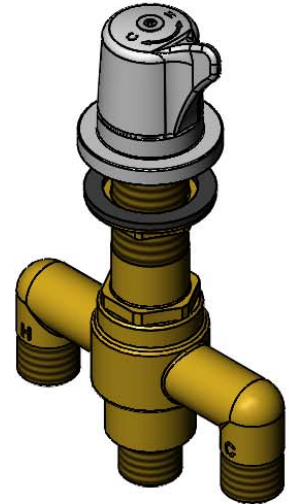
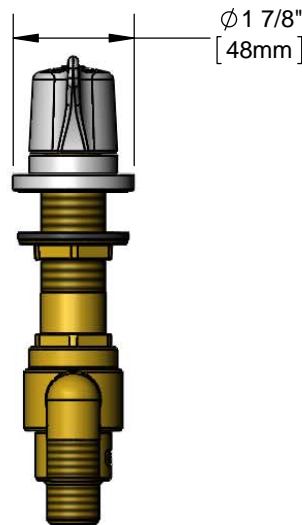
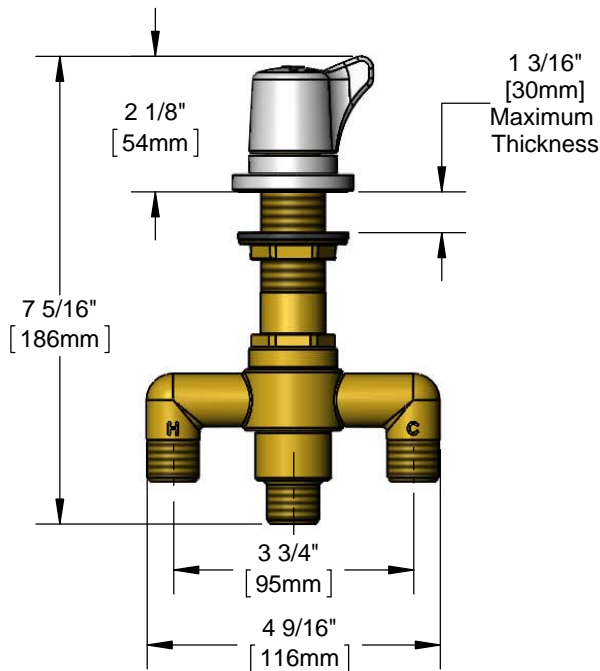
TAG:

Thermostatic Mixing Valve

Architect/Engineering Specifications:

Above deck thermostatic mixing valve with brass body, vandal Resistant locking temperature adjustment knob, Integral check valves with filter screens and 1/2" NPSM male connections. Certified to NSF 61-Section 9, NSF 372 and ASSE 1070. Meets ADA ANSI/ICC A117.1 requirements

Job Name _____
 Model Specified _____ Quantity _____
 Variations Specified _____
 Date _____



Features & Benefits:

- Above deck thermostatic mixing valve with brass body
- Vandal Resistant locking temperature adjustment knob
- Factor pre-set temperature approximately 100 °F
- Integral check valves with filter screens in hot and cold inlets
- 1/2" NPSM male connections
- Material: Brass body

Product Compliance:

- ASME A112.18.1 / CSA B125.1
- NSF 61 - Section 9
- NSF 372 (Low Lead Content)
- ANSI A117.1 (ADA)
- ASSE 1070 (TMV)

Warranty: One Year (Limited)

Performance Data:

- Pressure: 20 - 125 psi
- Hot Water Inlet Temperature: 120 °F - 180 °F
- Outlet Temperature Range: 80 °F - 120 °F
- Minimum Flow Rate: 0.5 GPM @ 60 psi



ADA Compliant



T&S BRASS AND BRONZE WORKS, INC.



• 2 Saddleback Cove • Travelers Rest, SC 29690
 Ph 800-476-4103 • Fax 864-834-3518
 • Simi Valley, CA • Ph 800-423-0150 • www.tsbrass.com

Date: 06/08/15