



T&S BRASS AND BRONZE WORKS, INC.
 2 Saddleback Cove / P.O. Box 1088
 Travelers Rest, SC 29690

Model No.
020744-45

Item No.

Travelers Rest, SC: 800-476-4103 • Simi Valley, CA: 800-423-0150 • Fax: 864-834-3518 • www.tsbrass.com

WAVECREST™
 BY T&S

This Space for Architect/Engineer Approval

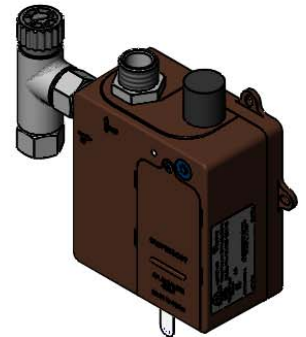
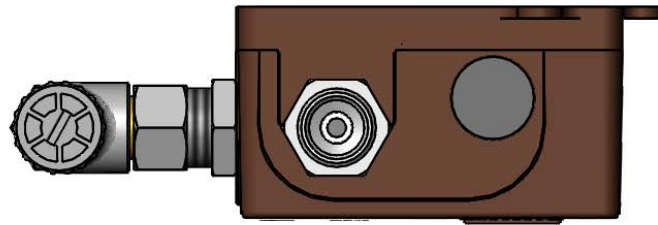
Job Name _____ Date _____

Model Specified _____ Quantity _____

Customer/Wholesaler _____

Contractor _____

Architect/Engineer _____



Water Resistant Faucet
 Sensor Cable Connection
 (Remove Protective Cap
 to Connect Cable)

1/2" NPSM Male Outlet

1 1/8"
 [28mm]

Removable
 Strainer

1/2" NPSM Female
 Swivel Coupling Nut

2 1/16"
 [52mm]

2 13/16"
 [72mm]

4" x 4 3/8" x 2 3/16" Deep
 [102mm x 111mm x 56mm]
 Water Resistant Control Module
 Box. AC or DC Operated w/ (4)
 AA Batteries. Hardwire Capable
 Using Terminals on Back

Water Resistant AC Adapter
 Cable Connection Port
 (Remove Rubber Plug
 to Connect Cable)

3 1/2"
 [88mm]

Batteries and Flow Control
 Setting Switches Behind
 Cover

Product Specifications:

WaveCrest Sensor Faucet Control Module with Flow Control Setting Switches (Brown Module Housing)

Product Compliance:

UL 1951
 NSF 61 - Section 9
 NSF 372 (Low Lead Content)



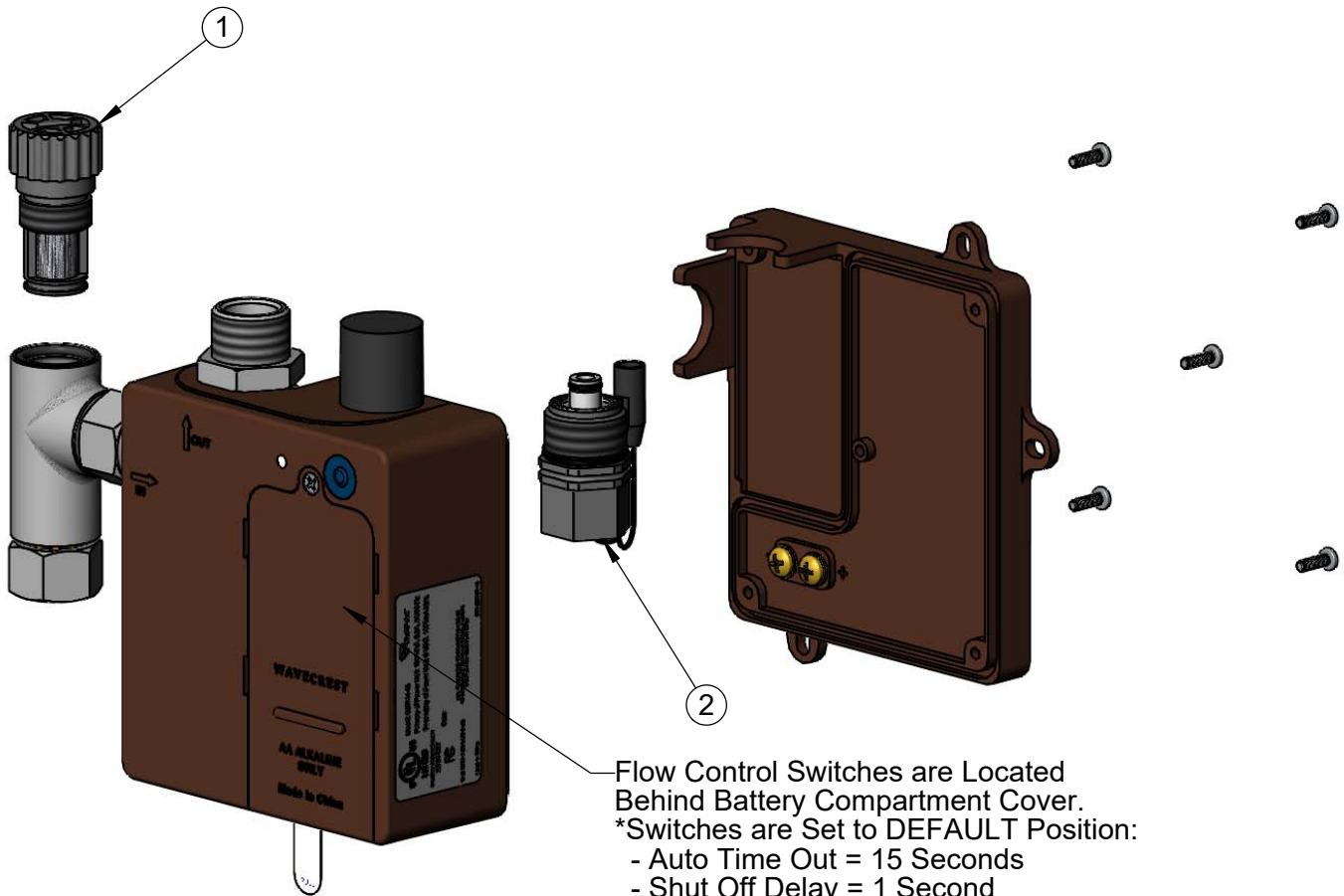
T&S BRASS AND BRONZE WORKS, INC.
 2 Saddleback Cove / P.O. Box 1088
 Travelers Rest, SC 29690

Model No.
020744-45

Item No.

Travelers Rest, SC: 800-476-4103 • Simi Valley, CA: 800-423-0150 • Fax: 864-834-3518 • www.tsbrass.com

ITEM NO.	SALES NO.	DESCRIPTION
1	EC-FILTER	Replacement Filter
2	020330-45	Solenoid Valve, M22 x 2 Male Thd



Flow Control Switches are Located Behind Battery Compartment Cover.
 *Switches are Set to DEFAULT Position:
 - Auto Time Out = 15 Seconds
 - Shut Off Delay = 1 Second
 - Auto Flush = OFF
 - Metering Mode = OFF

***Available Water Flow Control Selections:**

- Auto Time Out: 15 sec, 30 sec, 45 sec, 60 sec, 3 min, 20 min
- Shut Off Delay: 1 sec, 10 sec, 15 sec, 30 sec
- Auto Flush (30 Seconds After Every 12 Inactive Hours): ON or OFF
- Metering Mode: OFF

Product Specifications:
 WaveCrest Sensor Faucet Control Module with Flow Control Setting Switches
 (Brown Module Housing)

Product Compliance:
 UL 1951
 NSF 61 - Section 9
 NSF 372 (Low Lead Content)