



T&S BRASS AND BRONZE WORKS, INC.
 2 Saddleback Cove / P.O. Box 1088
 Travelers Rest, SC 29690

Model No.
018564-45

Item No.

Travelers Rest, SC: 800-476-4103 • Simi Valley, CA: 800-423-0150 • Fax: 864-834-3518 • www.tsbrass.com

This Space for Architect/Engineer Approval

Job Name _____ Date _____

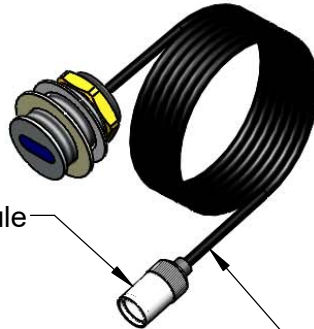
Model Specified _____ Quantity _____

Customer/Wholesaler _____

Contractor _____

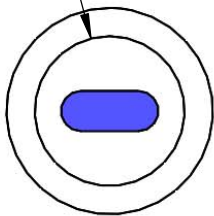
Architect/Engineer _____

Water Resistant Cable Connector
 Attaches to Faucet Sensor
 Cable Connection on Control Module

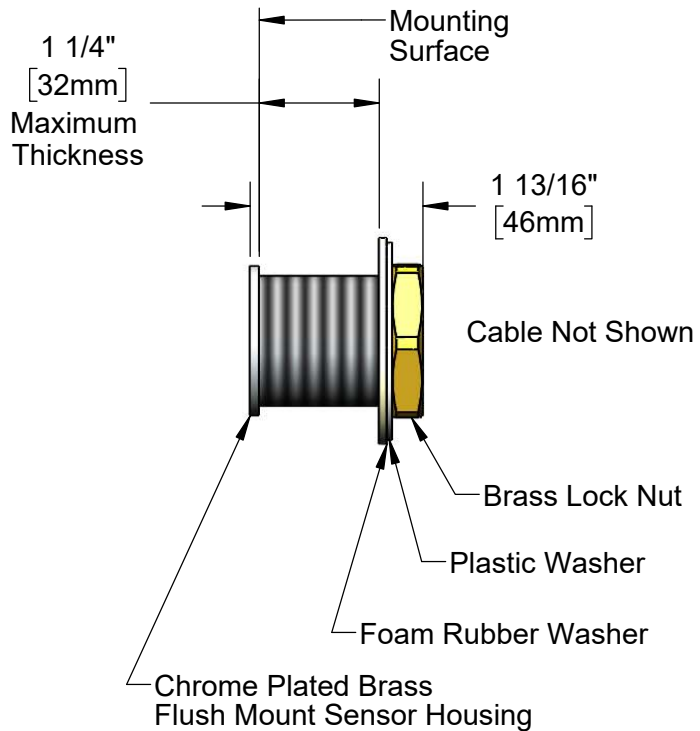


72" ±3" [1829mm]
 Sensor Cable

Ø 1 9/16"
 [40mm]



Rough-In Requirement:
 Ø 1 3/8" Hole



Product Specifications:
 Remote Flush Mount Sensor with 72" Cable

Product Compliance: