

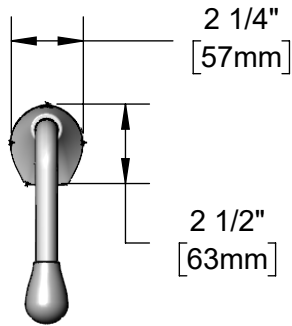


**T&S BRASS AND BRONZE WORKS, INC.**  
 2 Saddleback Cove / P.O. Box 1088  
 Travelers Rest, SC 29690

Model No.  
**EC-1210-12**

Item No.

Travelers Rest, SC: 800-476-4103 • Simi Valley, CA: 800-423-0150 • Fax: 864-834-3518 • www.tsbrass.com



**ADA Compliant**

This Space for Architect/Engineer Approval

Job Name \_\_\_\_\_ Date \_\_\_\_\_

Model Specified \_\_\_\_\_ Quantity \_\_\_\_\_

Customer/Wholesaler \_\_\_\_\_

Contractor \_\_\_\_\_

Architect/Engineer \_\_\_\_\_

High-Arc Rigid Nozzle  
 w/ 1.5 GPM [5.7 L/min]  
 Vandal Resistant  
 Laminar Flow Device

1/2" NPSM x 1/4" NPSM  
 18" [457mm] Flexible  
 Stainless Steel Hose

24" [610mm]  
 Sensor Cable

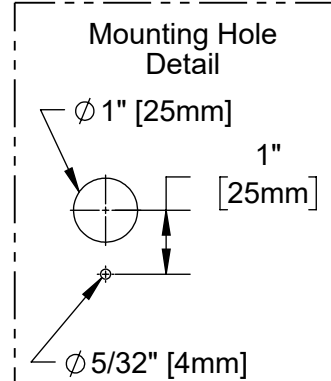
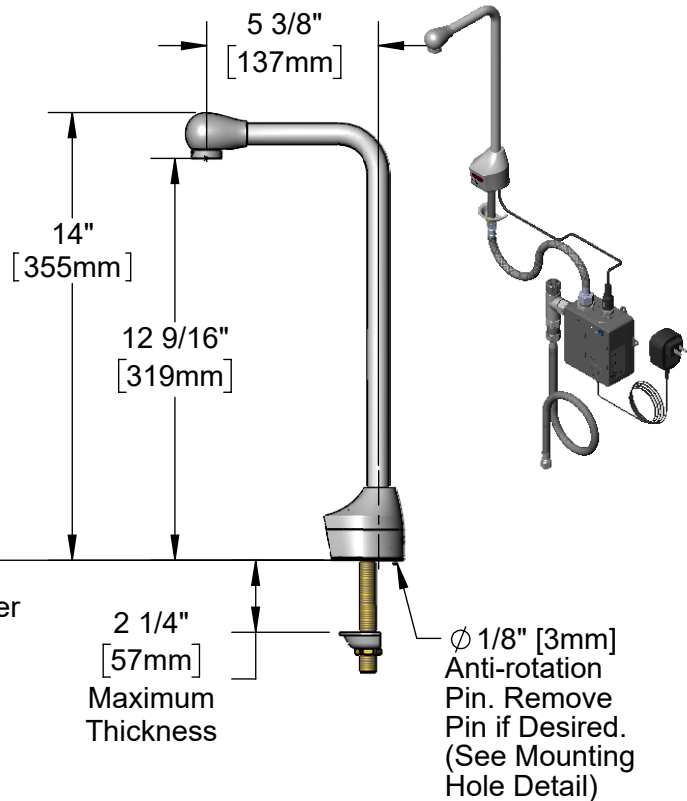
Mounting  
 Surface

Removable  
 Strainer

100-240 VAC Adapter  
 w/ 71' [1800mm]  
 Power Cord.

4" x 4 3/8" x 2 3/16" Deep  
 [102mm x 111mm x 56mm]  
 Water Resistant Control Module Box (Grey)  
 w/ Internal Flow Control Setting Switches,  
 AC or DC Operated w/ (4) AA Batteries.  
 Hardwire Capable using Terminals on Back

3/8" Compression x 1/2" NPSM  
 18" [457mm] Flexible Stainless Steel  
 Supply Hose



**Product Specifications:**

12" High Chrome Plated Brass Electronic Glass/Bottle Filler: Single Hole Deck Mount, High-Arc Rigid Nozzle w/ VR 1.5 GPM Laminar Flow Device, AC/DC Control Module w/ Internal Flow Control Setting Switches, and 18" Flexible Supply Hose

**Product Compliance:**

ASME A112.18.1 / CSA B125.1  
 NSF 61 - Section 9  
 NSF 372 (Low Lead Content)  
 ANSI A117.1 (ADA)  
 UL 1951



# T&S BRASS AND BRONZE WORKS, INC.

2 Saddleback Cove / P.O. Box 1088  
Travelers Rest, SC 29690

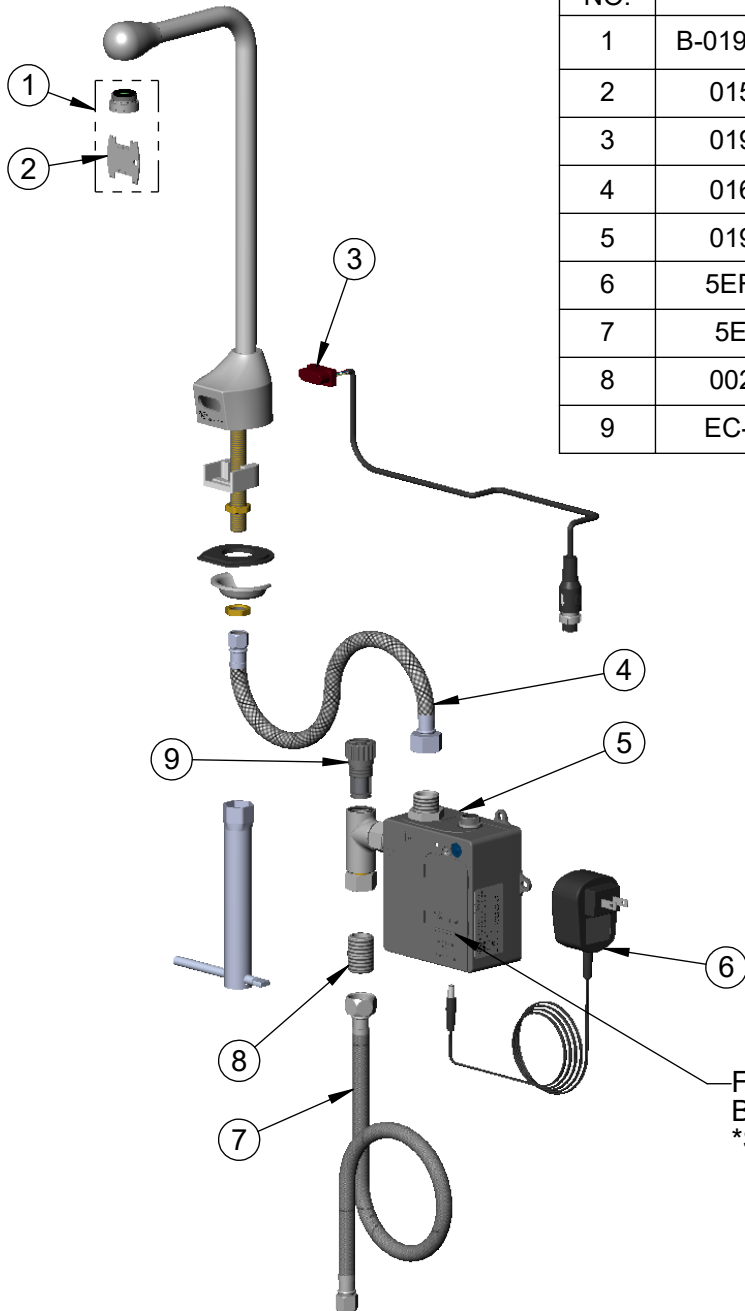
Model No.

**EC-1210-12**

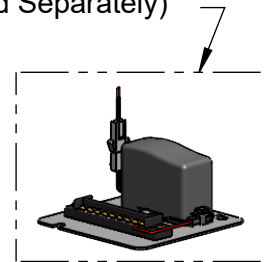
Item No.

Travelers Rest, SC: 800-476-4103 • Simi Valley, CA: 800-423-0150 • Fax: 864-834-3518 • www.tsbrass.com

| ITEM NO. | SALES NO.      | DESCRIPTION   |
|----------|----------------|---|
| 1        | B-0199-08-LF15 | VR 1.5 GPM Laminar Flow Device, 13/16-27 UN Male w/ Key |
| 2        | 015425-45      | Vandal Resistant Key                                    |
| 3        | 019174-45      | Sensor Cable Assembly                                   |
| 4        | 016297-45      | Inlet Hose, Faucet, 1/2" NPSM-F x 1/4" NPSM-F           |
| 5        | 019944-45      | ChekPoint Control Module w/ Filter Tee                  |
| 6        | 5EF-0002C      | AC Adapter - US Plug                                    |
| 7        | 5EF-0005       | Supply Hose, 9/16-24 Female x 1/2" NPSM                 |
| 8        | 002534-25      | Close Nipple, 1/2" NPT                                  |
| 9        | EC-FILTER      | Replacement Filter                                      |



A Maximum of (8) ChekPoint Faucets can be Hardwire Connected and Powered by EC-HARDWIRE ChekPoint Hardwire AC Transformer. (Sold Separately)



Flow Control Switches are Located Behind Battery Compartment Cover  
\*Switches are Set to DEFAULT Position:  
- Auto Time Out = 15 Seconds  
- Shut Off Delay = 1 Second  
- Auto Flush = OFF  
- Metering Mode = OFF

**\*Available Water Flow Control Selections:**

- Auto Time Out: 15 sec, 30 sec, 45 sec, 60 sec, 3 min, 20 min
- Shut Off Delay: 1 sec, 10 sec, 15 sec, 30 sec
- Auto Flush (30 Seconds After Every 12 Inactive Hours): ON or OFF
- Metering Mode: ON or OFF

**Product Specifications:**

12" High Chrome Plated Brass Electronic Glass/Bottle Filler: Single Hole Deck Mount, High-Arc Rigid Nozzle w/ VR 1.5 GPM Laminar Flow Device, AC/DC Control Module w/ Internal Flow Control Setting Switches, and 18" Flexible Supply Hose

**Product Compliance:**

ASME A112.18.1 / CSA B125.1  
NSF 61 - Section 9  
NSF 372 (Low Lead Content)  
ANSI A117.1 (ADA)  
UL 1951