



# T&S BRASS AND BRONZE WORKS, INC.

2 Saddleback Cove / P.O. Box 1088  
Travelers Rest, SC 29690

Model No.

**B-2360-04**

Item No.

Travelers Rest, SC: 800-476-4103 • Simi Valley, CA: 800-423-0150 • Fax: 864-834-3518 • www.tsbrass.com



**ADA Compliant**

This Space for Architect/Engineer Approval

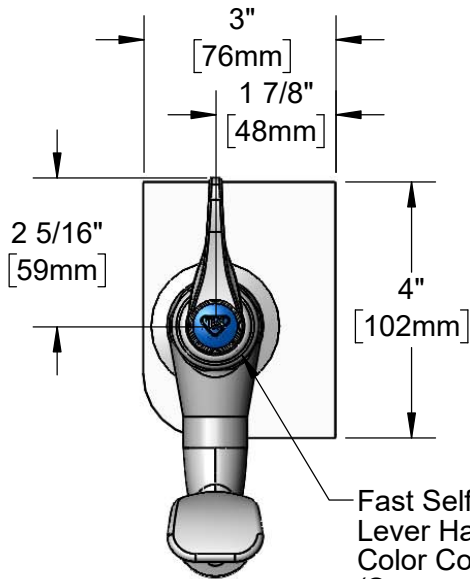
Job Name \_\_\_\_\_ Date \_\_\_\_\_

Model Specified \_\_\_\_\_ Quantity \_\_\_\_\_

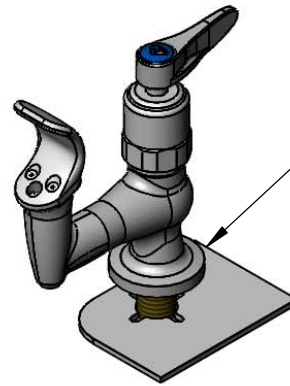
Customer/Wholesaler \_\_\_\_\_

Contractor \_\_\_\_\_

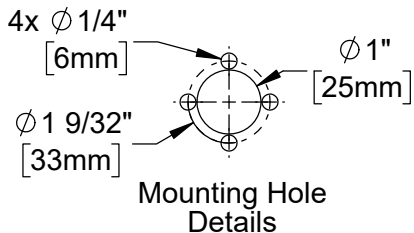
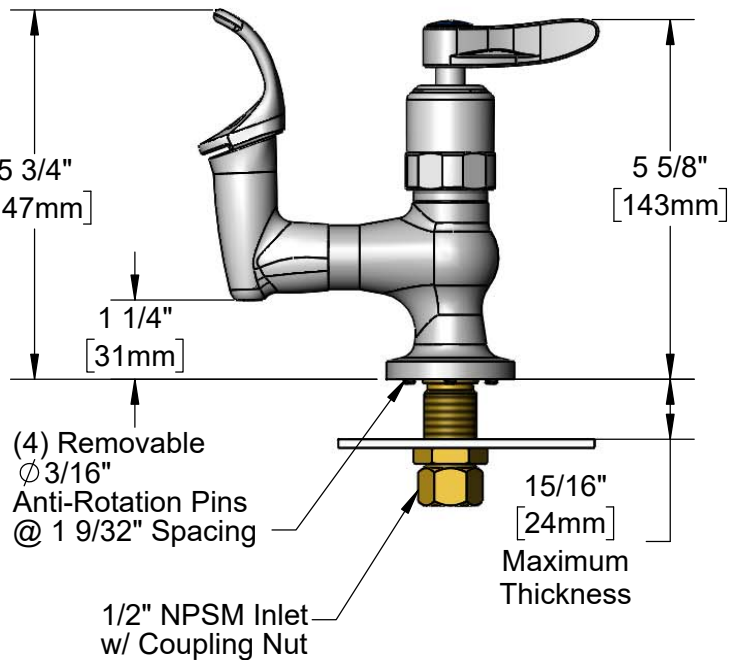
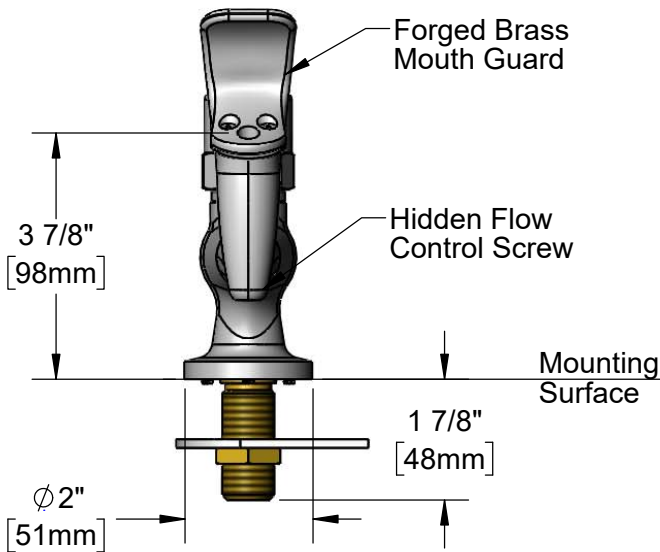
Architect/Engineer \_\_\_\_\_



Fast Self-Closing Cartridge w/  
Lever Handle w/ VR Screw &  
Color Coded Index  
(Spanner Bit Included)



Stainless Steel  
Backing Plate.  
Notches Align w/  
(4) Anti-Rotation  
Pins



**Rough-In Requirement:**  
1" [25mm] Mounting Hole

**Product Specifications:**  
Bubbler w/ Fast Self-Closing Cartridge, Lever Handle,  
Forged Brass Mouth Guard, Stainless Steel Backing Plate &  
1/2" NPSM Inlet w/ Coupling Nut

**Product Compliance:**  
ASME A112.18.1 / CSA B125.1  
NSF 61 - Section 9  
NSF 372 (Low Lead Content)  
ANSI A117.1 (ADA)



# T&S BRASS AND BRONZE WORKS, INC.

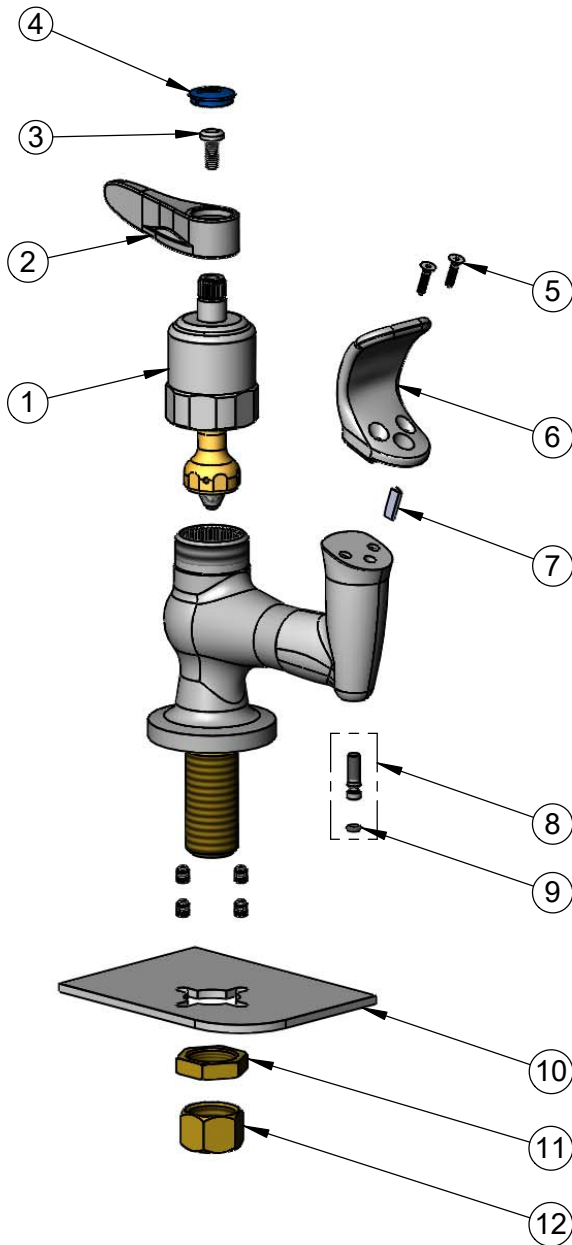
2 Saddleback Cove / P.O. Box 1088  
Travelers Rest, SC 29690

Model No.

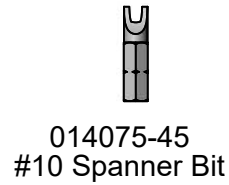
**B-2360-04**

Item No.

Travelers Rest, SC: 800-476-4103 • Simi Valley, CA: 800-423-0150 • Fax: 864-834-3518 • www.tsbrass.com



ITEM NO.	SALES NO.	DESCRIPTION
1	015317-40	Fast Self-Close Cartridge
2	001638-45NS	Lever Handle (New Style)
3	VRS-2	VR Wrist Action Handle Screw (2) w/ Spanner Bit
4	018506-19NS	Blue Button Index, Press-in
5	009598-45	Mouth Guard Screw
6	011299-40	Forged Brass Mouth Guard
7	009594-45	Flow Straightener
8	012697-45	Flow Control Screw
9	015319-45	O-Ring
10	013355-45	Stainless Steel Backing Plate
11	002954-45	Shank Lock Nut
12	000958-20	Coupling Nut



**Product Specifications:**

Bubbler w/ Fast Self-Closing Cartridge, Lever Handle, Forged Brass Mouth Guard, Stainless Steel Backing Plate & 1/2" NPSM Inlet w/ Coupling Nut

**Product Compliance:**

ASME A112.18.1 / CSA B125.1  
NSF 61 - Section 9  
NSF 372 (Low Lead Content)  
ANSI A117.1 (ADA)